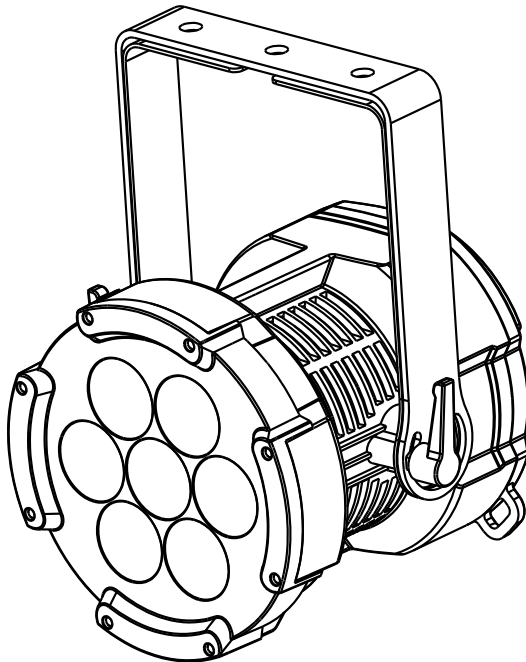


LIGHT SKY[®]

USER MANUAL

LED Wash light Series

- IPL715P
- IPL715N



Please read these instruction manual carefully before use

FLY DRAGON LIGHTING EQUIPMENT CO., LTD

INDEX

| | |
|--|----|
| 1.Safety information..... | 2 |
| 2.Skill specifications and Performance trait | 3 |
| 3.Photometric data..... | 4 |
| 4.Control panel..... | 6 |
| 5.Dimensional drawings..... | 7 |
| 6.Mounting and installation..... | 8 |
| 7.Power supply and signal connection..... | 9 |
| 8.Menu setting..... | 11 |
| 9.Channel function..... | 15 |
| 10.Circuit connecting diagram..... | 16 |
| 11.Troubleshooting..... | 17 |
| 12.Cleaning and maintenances..... | 18 |
| 13. Duty exonerative and copyright protection..... | 18 |

UNPACKING: Thank you for purchasing our company products. Every product has been thoroughly tested and has been shipped in perfect operating condition. Carefully check the shipping carton for damage that may have occurred during shipping. If the carton appears to be damaged, carefully inspect your fixture for damage and be sure all accessories necessary to operate the fixture have arrived intact. In the event damage has been found or parts are missing, please contact our customer support team for further instructions. Inside the box you should find: the fixture, a DMX XLR cable, a power cable, and this user manual.

SAFETY INSTRUCTIONS

Notice: To guarantee proper and consistent operation, it is important to follow the guidelines in this manual. Our company will not accept responsibility for damages resulting from the misuse of this fixture due to the disregard of the information printed in this manual.

- 1. In order to ensure the light could operate normally, the ambient temperature couldn't be higher than 38°C and no lower than - 2°C.
- 2. Under normal condition, the highest sectional surface temperature may be up to 60 °C.
- 3. These projectors are designed depends on the electric shock protection, the projector should be connected with the power supply system which connected ground enough. The projector's ground cable should be connected with the ground cable of the power supply system as well. The ground mark of the light metal cover should be connecting with the installation bricked steadily.
- 4. Don't use the power cable when the insulation is damaged.
It must be the manufacturer or distributor or the professional person to change the damaged power cable in order to avoid any dangerous.
- 5. Please check the voltage, frequency data of power supply system is suitable for the mentioned on the projector. Please do avoid the different voltage between them and burn the projector.
- 6. Do not attempt to operate this fixture if the power cord has become damaged or frayed.
- 7. Never open this fixture while in use.
- 8. Never look directly into the light source. You risk injury to your retina, which may induce blindness.
- 9. Please be aware that damages caused by modifications to the device are not subject to warranty.

SKILL SPECIFICATIONS AND PERFORMANCE TRAIT

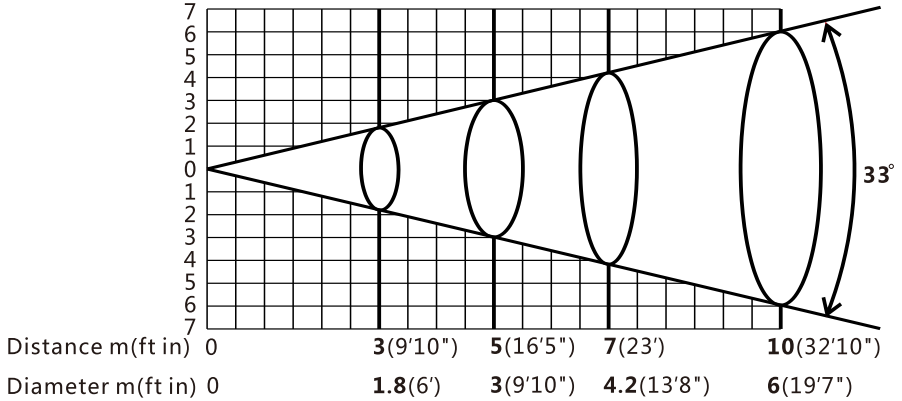
- ⊙Voltage : AC100~240V 50/60Hz.
- ⊙Power : 80W(Neutrick , PG) ; 24W(Battery Rechargeable) (AC220V/50Hz).
- ⊙LED chip : 15W/10W , RGBW 4 in 1 LED chip.
- ⊙LED QTY : 7PCS.
- ⊙LED life : 50000H(Neutrick , PG) ; 20000H(Battery Rechargeable).
- ⊙Lens degree : standard 22° ; selective 8°.
- ⊙Beam angle : 33°(22° Lens);11°(8° Lens).
- ⊙Recharge mode:constant current and voltage External Charger(Battery Rechargeable).
- ⊙Recharge voltage:DC33.6V 2.5A(Charger voltage:AC100–240V 50/60Hz) (Battery Rechargeable).
- ⊙Battery Capacity:5000mAh(Battery Rechargeable).
- ⊙Battery lifespan : after 300 times, the battery capacity still $\geq 80\%$ (Battery Rechargeable).
- ⊙Fixture using time:8-9H(Battery Rechargeable).
- ⊙Recharge time: 2.5–3 hour/time.
- ⊙Strobe:1-30 times/ second electronic strobe and random strobe.
- ⊙Dimmer : 65536 class dimmer.
- ⊙Channel: 7CH.
- ⊙Single carton size : 250×250×370MM.
- ⊙N.W. : 3.7KG(Neutrick) 4.3KG(PG,Battery Rechargeable) .
- ⊙G.W. : 4.7KG(Neutrick) 5.3KG(PG,Battery Rechargeable) .
- ⊙Four carton size : 530×530×400MM.
- ⊙N.W. : 14.8KG(Neutrick) 17.2KG (PG,Battery Rechargeable) .
- ⊙G.W. : 20.7KG(Neutrick) 23.2KG (PG,Battery Rechargeable).
- ⊙Light size:250×228×303MM.
- ⊙IP65.

PHOTOMETRIC DATA

PG
Neutrick

Lens 22°

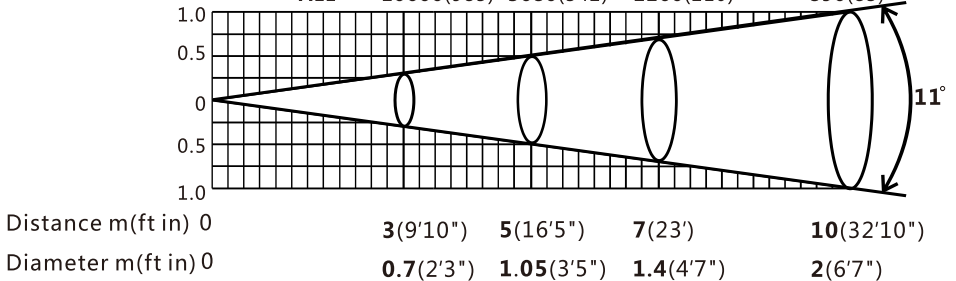
| Lux(fc) | R | G | B | W | RGB | ALL |
|---------|------------------|----------------|----------------|----------------|-----|-----|
| | 248(23) | 75(7) | 37(3) | 19(2) | | |
| | 705(66) | 228(21) | 117(11) | 60(6) | | |
| | 75(7) | 25(3) | 13(2) | 7(1) | | |
| | 920(86) | 290(27) | 150(14) | 77(7) | | |
| | 945(88) | 308(29) | 151(14) | 78(7) | | |
| | 1610(150) | 515(48) | 260(24) | 136(13) | | |



PG
Neutrick

Lens 8°

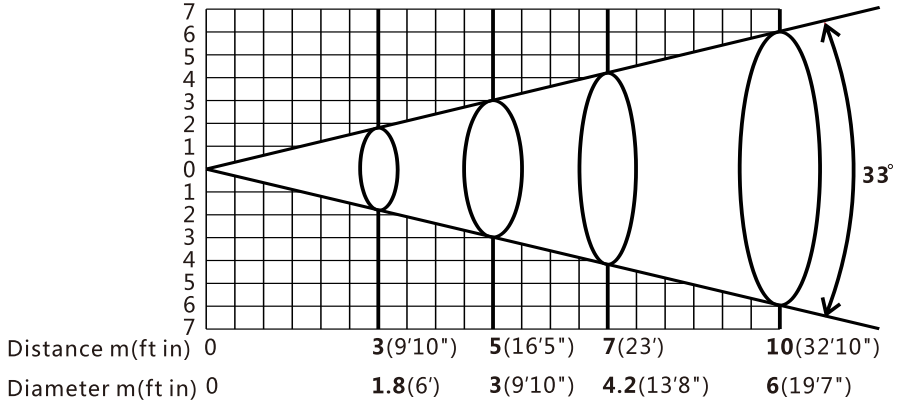
| Lux(fc) | R | G | B | W | RGB | ALL |
|---------|-------------------|------------------|------------------|----------------|-----|-----|
| | 1900(177) | 550(51) | 258(24) | 134(12) | | |
| | 4740(440) | 1650(153) | 915(85) | 410(38) | | |
| | 460(43) | 175(16) | 97(9) | 43(4) | | |
| | 5600(520) | 2000(186) | 1090(101) | 486(45) | | |
| | 6600(614) | 2160(200) | 1180(110) | 525(49) | | |
| | 10600(985) | 3680(342) | 2260(210) | 890(83) | | |



Battery Rechargeable

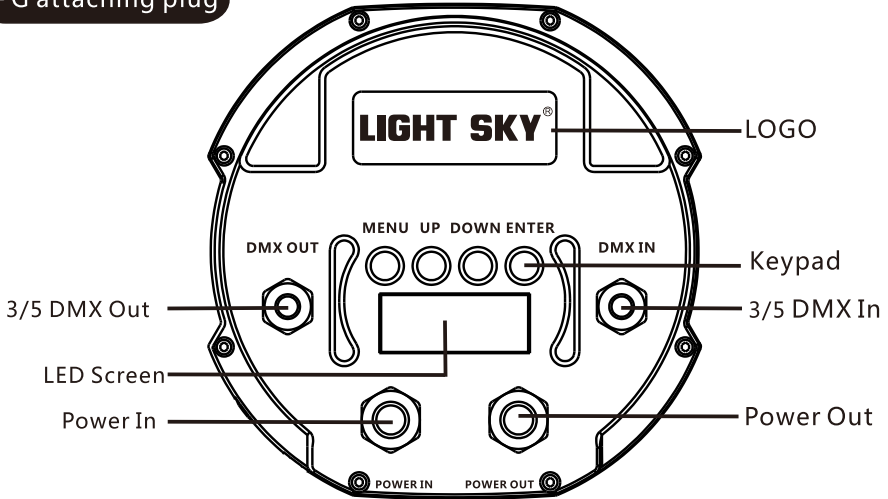
Lens 22°

| | | | | | |
|---------|-----|----------------|----------------|----------------|--------------|
| Lux(fc) | R | 240(22) | 90(8) | 46(4) | 26(2) |
| | G | 610(57) | 230(21) | 117(11) | 64(6) |
| | B | 67(6) | 24(3) | 13(2) | 7(1) |
| | W | 800(74) | 296(76) | 153(14) | 80(7) |
| | RGB | 330(30) | 123(11) | 59(6) | 34(3) |
| | ALL | 490(46) | 184(17) | 96(9) | 51(5) |

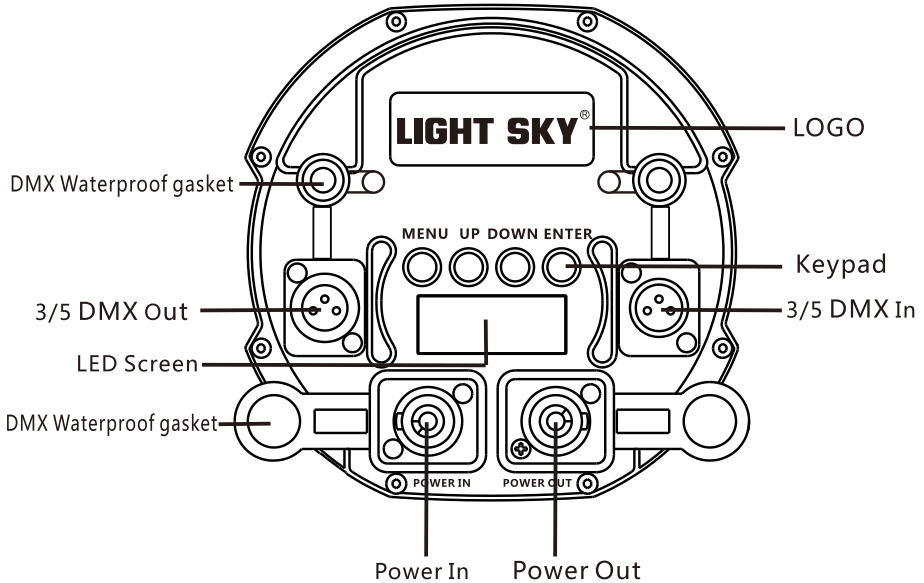


CONTROL PANEL

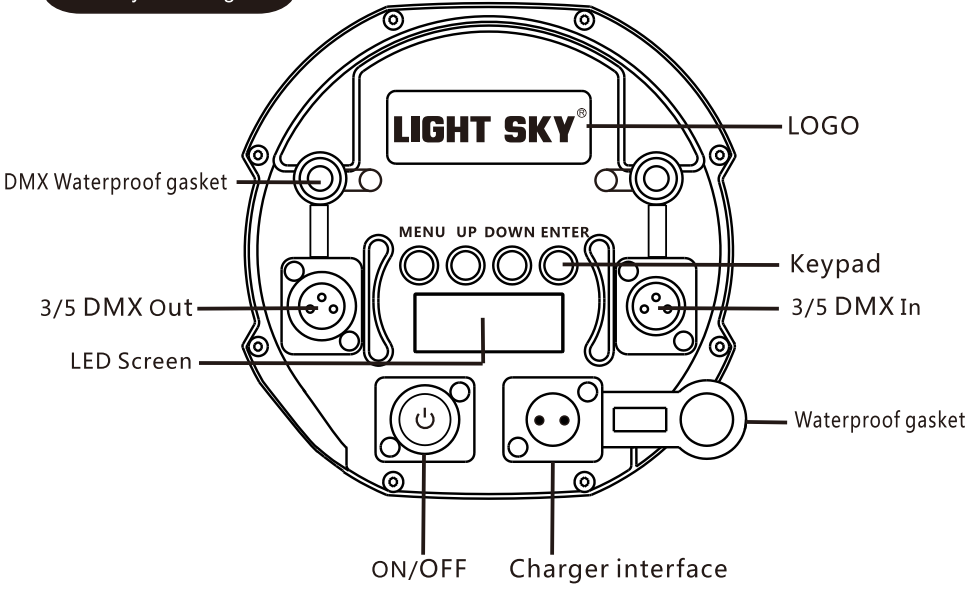
PG attaching plug



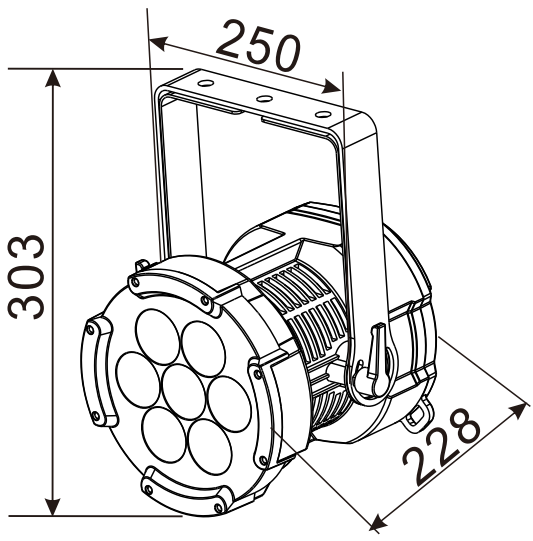
Neutrick attaching plug



Battery Rechargeable



DIMENSIONAL DRAWINGS



MOUNTING AND INSTALLATION

Cautions:

For added protection mount the fixtures in areas outside walking paths, seating areas, and away from areas where unauthorized personnel might reach the fixture. Before mounting the fixture to any surface, make sure that the installation area can hold a minimum point load of 10 times the device's weight. Fixture installation must always be secured with a secondary safety attachment, such as an appropriate safety cable. To avoid injury, never stand directly below the device when mounting, removing, or servicing the fixture.

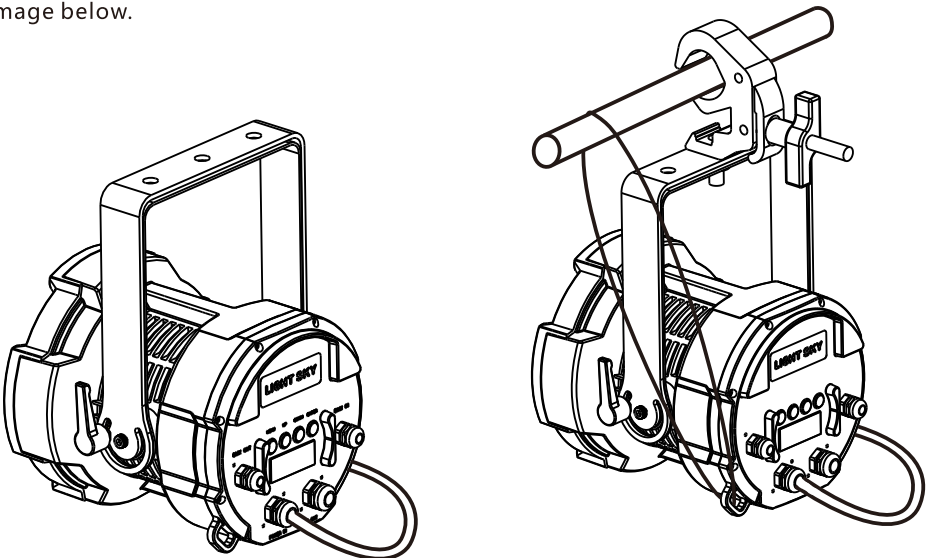
Mounting points: Overhead mounting requires extensive experience, including amongst others calculating working load limits, a fine knowledge of the installation material being used, and periodic safety inspection of all installation material and the fixture. If you lack these qualifications, do not attempt the installation yourself. Improper installation can result in bodily injury. Be sure to complete all rigging and installation procedures before connecting the main power cord to the appropriate wall outlet.

caution! Be sure a qualified electrician performs all electrical connections.

Mounting:

Our company is fully operational in any mounting position, hanging upside-down, side mounted, or set on a flat level surface, etc. Be sure this fixture is kept at least 0.5m (about 1.6feet) away from any flammable materials (decoration etc.).

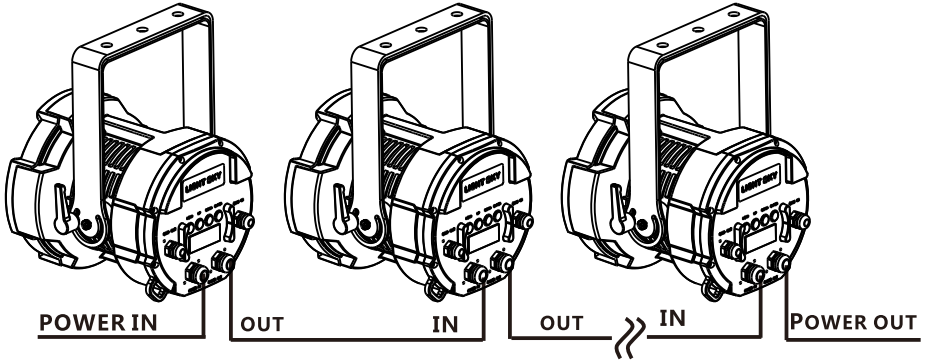
When clamp mounting; always use and install the supplied safety cable as an added safety measure to prevent accidental damage in the event of a clamp failure. See the image below.



POWER SUPPLY AND SIGNAL CONNECTION

1. Power supply

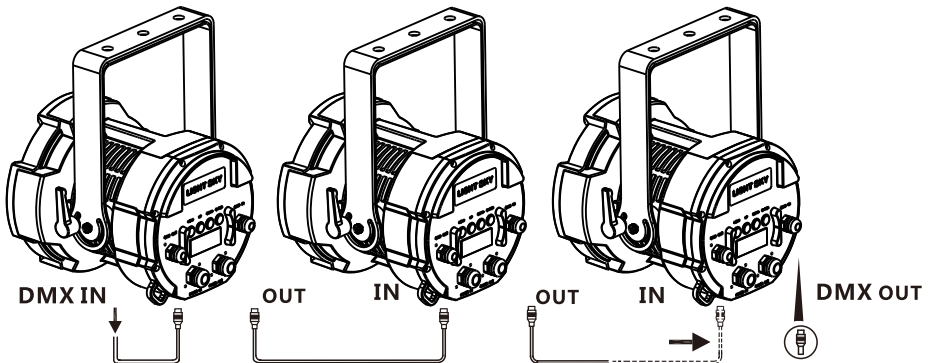
Use the professional plug to connect the projector and main power supply. Please pay attention to the voltage, frequency the same as the mentioned on the projector. Suggest each light has separately switched of the power supply so that could turn on or turn off each projector desultorily.



2. Signal connection

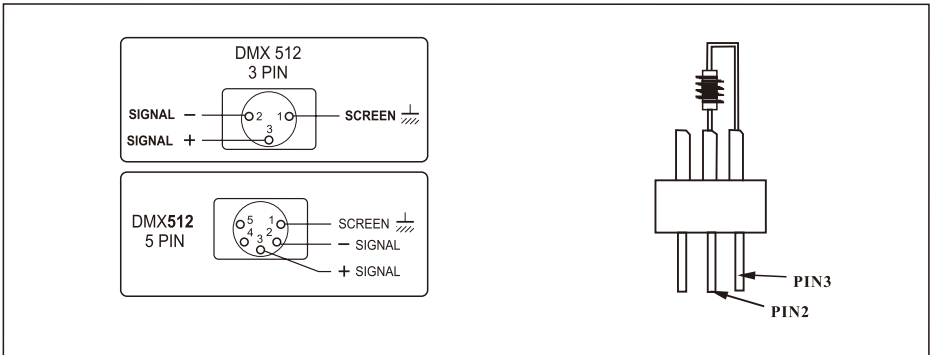
Please use the round 3/5-pin XLR plugs & sockets offered by menu factory to connect the first projector's output to the second projector's input and connect the second projector's output to the third device's input. And in the same way for the rest, eventually connect the last device's output, all the devices are together as the following figure.

The devices' control signal output or input by using the 3/5-pin XLR pug and socket. If need to long then the communication cable, please make sure the both side of 3/5-pin plug is one to one. (one to one, two to two, three to three). Otherwise, the communication cable will be interrupted.



Connecting to the control signal line (DMX)

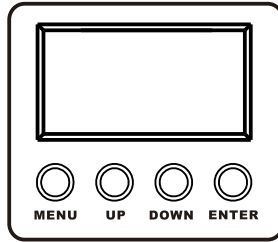
- ◎ Please use the round 3 or 5-pin XLR plugs & sockets offered by menu manufacture to connect the first projector's output to the second projector's input and connect the second projector's output to the third projector's input. And in the same way for the rest, eventually connect the last projector's output, all the projectors are together.
- ◎ The projectors's control signal output or input by using the 3 or 5-pin XLR plug and socket. If need to lengthen the communication cable, please make sure the both side of 3 or 5-pin plug is one to one . (one to one, two to two, three to three). Otherwise, the communication cable will be interrupted. The communicate cable is 2-cord screened cable $75\ \Omega$ resistance with each core is at least a 0.5mm diameter. (**Caution:** All the inside leading wire of 3 or 5-pin XLR plug couldn't touch each other or plinth).
- ◎ Recommend to use the DMX signal terminator for the installation to avoid the electronic noise damage the digital control signal. Simply speaking, DMX terminator is an XLR connector with a $120\ \Omega$ $1/2W$ resistor connected across pin 2 and 3. Which is then plugged into the output socket on the last projector in the chain. Refer to the connection.



MENU SETTING

1.Button operation

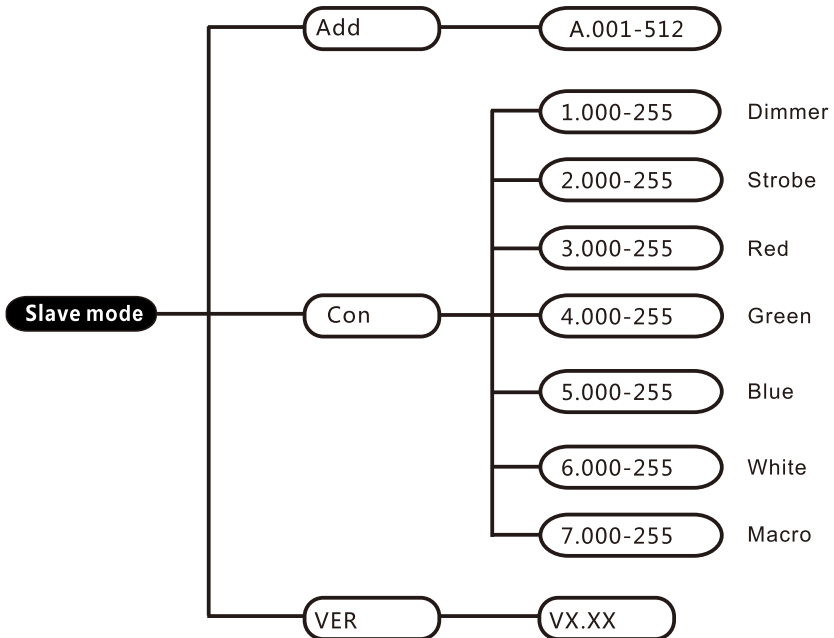
- MENU : back Button ;
- UP : Page up or increase ;
- DOWN : Page down or reduce ;
- ENTER : OK button

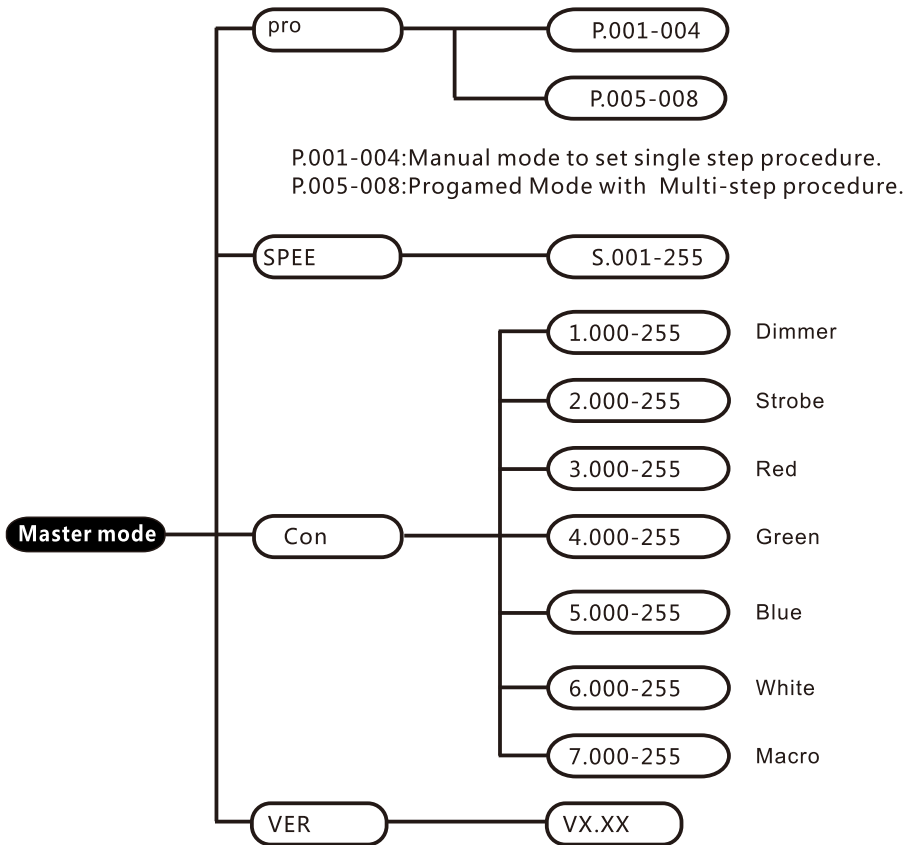


- Hold down MENU and UP key both, can exchange Master-Slave mode flexibly.
- Hold down MENU and Down key both, can exchange display board 's showing direction.

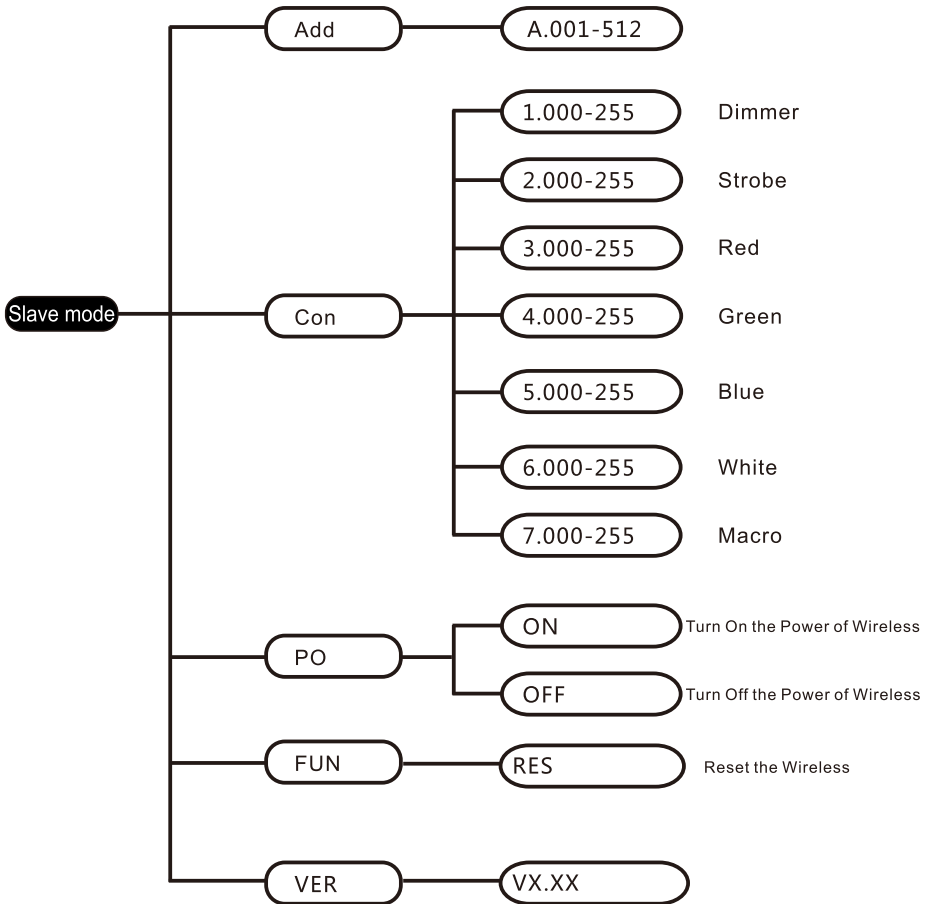
PG
Neutrick

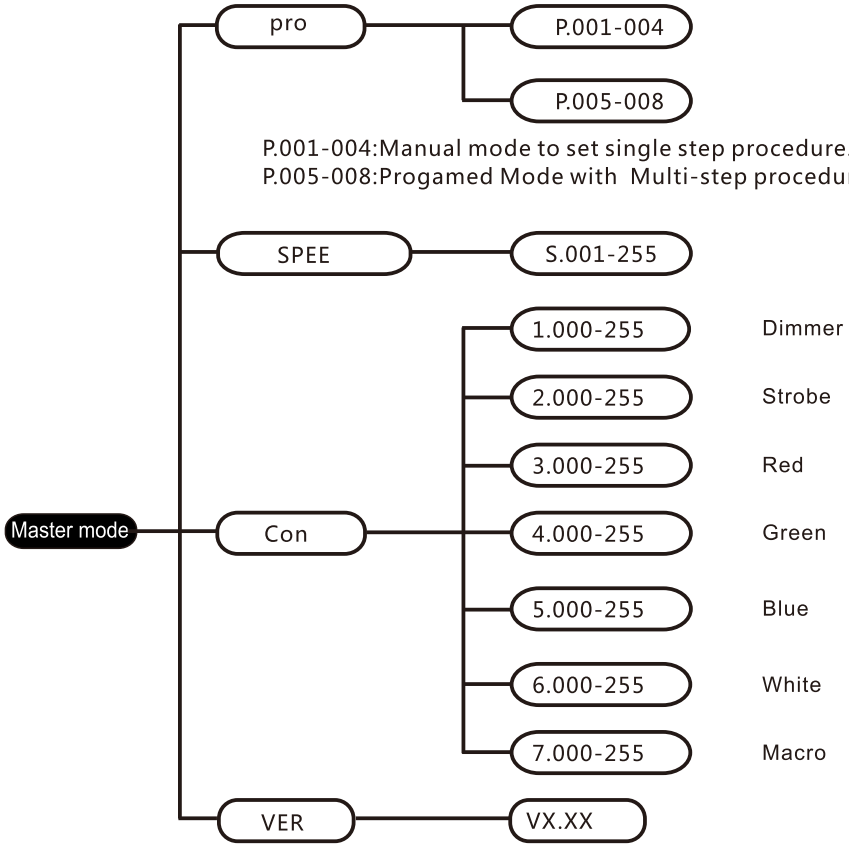
2.Menu operation





3.Menu operation

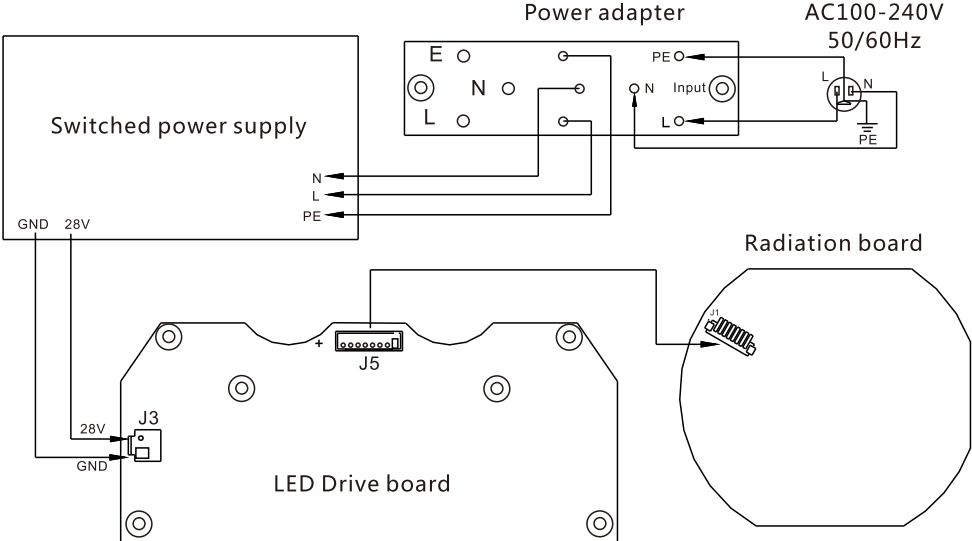




CHANNEL FUNCTION

| CHANNEL | DMX VALUE | % | FUNCTION |
|---------|-----------|-------------|---|
| 1 | 0-255 | 0-100 | Dimmer |
| 2 | Shutter | | |
| | 0-9 | 0-3.53 | NO Function |
| | 10-49 | 3.92-19.22 | Slow closing, Fast opening, Slow → Fast |
| | 50-89 | 19.61-34.9 | Fast closing, Slow opening, Slow → Fast |
| | 90-119 | 35.29-46.67 | Slow closing, Slow open, Slow → Fast |
| | 120-179 | 47.06-70.2 | Random strobe, Slow → Fast |
| | 180-249 | 70.59-97.65 | Synchronous strobe, Slow → Fast |
| | 250-255 | 98.04-100 | NO Function |
| 3 | 0-255 | 0-100 | Red |
| 4 | 0-255 | 0-100 | Green |
| 5 | 0-255 | 0-100 | Blue |
| 6 | 0-255 | 0-100 | White |
| 7 | Macro | | |
| | 0-243 | 0-94 | Macro |
| | 244-245 | 95 | 2700K |
| | 246-247 | 96 | 3200K |
| | 248-249 | 97 | 4000K |
| | 250-251 | 98 | 5600K |
| | 252-253 | 99 | 6500K |
| | 254-255 | 100 | 8000K |

CIRCUIT CONNECTING DIAGRAM



TROUBLE DISPOSE

It is recommended some solution for some normal trouble shooting. Any inextricability problems should always be handling by the professional person. Disconnect the power supply before maintenance the light.

●LED off :

- 1.Please check if install the suitable voltage
- 2.Please check whether the led will reach the end of their life can explode; please replace a same description led.
- 3.Please check if the power supply is enough.
- 4.Please check whether the DMX 512 controller pass the "turn on" order.

●Though the light is lighting, but it couldn't accept the control order:

- 1.Please check the start code address and the function option are correct.
- 2.Please check whether the communicate control cable is on good connection or the cable is too long or interrupt.
- 3.Please check the control system is not valid, check the signal amplifier of chain connected is valid.
- 4.Please check whether the communicate cable is too long or the other equipment is mutually conjugate.
- 5.Please arrange the wire well, shorter the signal cable, put the high voltage cable and low voltage cable separately.
- 6.Add the signal amplify isolator.
- 7.Signal cable is used the excellent screening doublet (Resistance 75 OHM)
- 8.The end of the light end and the end resistance.

●The light can't move:

- 1.Please check if the power supply is suitable for the light voltage data.
- 2.Please check the light if they are deformation, inside parts is broken, become wet etc will lead the loose contact.

CLEANING AND MAINTENANCE

- 1. In order to ensure the projector could work normally. It should be kept clean always. The lens should also be regularly cleaned to maintain an optimum light output. Do not use any type of solvent on lens. It will damage the projector.
- 2. Suggestion: The continue usage of the light don't exceed 4 hours. Or it will shorter the usage of the lamp. Please use the alternative operation to solve this problem. The fixture power ON time is best not over 48 hours, or it would generate lamp protection procedure.
- 3. Please disconnect the power supply when begin to maintenance take down the light. Please let the parts cool down 10 minute at least then begin to install.
- 4. Please inspect the lens or other moving parts timing and keep them clear and static. If find anything damaged or looseness must change a lamp or fix the lamp in order to avoid the accident.

CAUTION!

Disconnect from mains before starting maintenance operation.

DUTY EXONERATIVE AND COPYRIGHT PROTECTION

- ⊙Any products broken that didn't according to the instruction is not guarantee to keep it in good repair.
- ⊙The commentary for all the instruction belongs to the supplier in final.
- ⊙No authorize can't copy.

LIGHT SKY[®]

Tel:0086-20-61828288

Fax:0086-20-61828188 Pc:510800

Web:www.lightsky.com.cn

E-mail: flydragon@lightsky.com.cn

asia@lightsky.com.cn

india@lightsky.com.cn

europe@lightsky.com.cn

latinamerica@lightsky.com.cn

middle-east@lightsky.com.cn

american@lightsky.com.cn

**Address: No. 43, Yunfeng Road, Xiuquan Street,
Huadu District, Guangzhou, China**