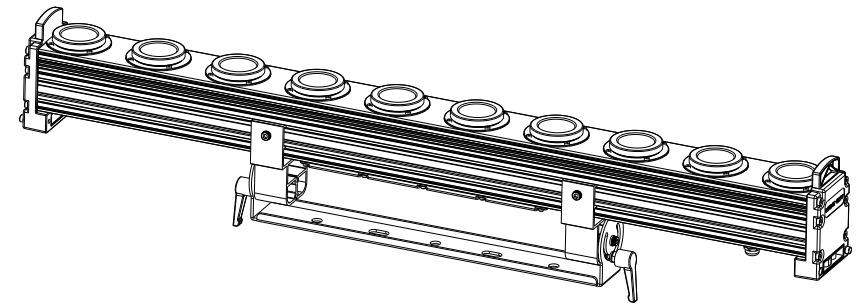


# LIGHT SKY<sup>®</sup>

FLY DRAGON LIGHTING EQUIPMENT CO.,LTD



## LIGHT SKY<sup>®</sup>

Tel:0086-20-61828288

Fax:0086-20-61828188 Pc:510800

Web:www.lightsky.com.cn

E-mail: flydragon@lightsky.com.cn

asia@lightsky.com.cn

india@lightsky.com.cn

europa@lightsky.com.cn

latinamerica@lightsky.com.cn

middle-east@lightsky.com.cn

american@lightsky.com.cn

Address: No. 43, Yunfeng Road, Xiuquan Street,  
Huadu District, Guangzhou, China



LIGHT SKY<sup>®</sup>



## PL1015WASH

## USER MANUAL

Please read these user manual carefully before use

**Contents**

1. Safety information.....2

2. Technical information.....7

3. Attachment and body size.....8

4. Installation and connecting.....9

5. Control panel.....12

6. Menu setting.....13

7. Channel function.....15

8. Circuit connecting diagram.....25

9. Cleaning and maintenances.....26

10. Troubleshooting.....27

11. Duty exonerative and copyright protection.....28

Congratulations on choosing our company product! We thank you for your custom.

◆Please note that this product, as all the others in the rich my company range, has been designed and made with total quality to ensure excellent performance and best meet your expectations and requirements.

◆Carefully read this user manual in its entirety and keep it safe for future reference. It is essential to know the information and comply with the instructions given in this manual to ensure the fitting is installed, used and serviced correctly and safely.

◆My company disclaims all liability for damage to the fitting or to other property or persons deriving from installation, use and maintenance that have not been carried out in conformity with this user manual, which must always accompany the fitting.

◆My company reserves the right to modify the characteristics stated in this user manual at any time and without prior notice.

## SAFETY INFORMATION



■ This lighting fixture is for professional use only - it is not for household use.

### ■ Installation

Make sure all parts for fixing the projector are in a good state of repair.

Make sure the point of anchorage is stable before positioning the projector.

The safety chain must be properly hooked onto the fitting and secured to the framework.

When suspending the fixture, ensure that the supporting structure and all hardware used can hold at least 10 times the weight of all the devices they support.



### ■ Mounting surface and fire protection

Please do not install the fixture onto combustible surface.

Keep all combustible materials at least 20 cm away from the fixture.

Ensure a minimum clearance of 0.2m around the cooling fans and ventilation.



Do not expose the front glass to sunlight or other strong light source from any angle.

Lenses can focus the sun's rays inside the fixture, creating a potential fire hazard.

$t_a 40^{\circ}\text{C}$

### ■ Maximum ambient temperature

The fixture is intended for indoor application.

Do not operate the fixture if the ambient temperature ( $T_a$ ) exceeds  $40^{\circ}\text{C}$ .



### ■ Protection against electrical shock

Connection must be made to a power supply system fitted with efficient earthing (**Class I** appliance according to standard EN 60598-1).

It is, moreover, recommended to protect the supply lines of the projectors from indirect contact and/or shorting to earth by using appropriately sized residual current devices.

### ■ Connection to mains supply

The double insulation between the LV power supply and the control conductor on the fixture. Connection to the electricity mains must be carried out by a qualified electrical installer.

Check that the mains frequency and voltage correspond to those for which the projector is designed as given on the electrical data label.

This label also gives the input power to which you need to refer to evaluate the maximum number of fittings to connect to the electricity line, in order to avoid overloading.

Don't use the power cable when the insulation is damaged.

It must be the manufacturer or distributor or the professional person to change the damaged power cable in order to avoid any dangerous.



t<sub>c</sub> 60 °C



■ **Temperature of the external surface**

The maximum temperature that can be reached on the external surface of the fitting, in a thermally steady state, is 60°C. Avoid contact by persons and materials. Allow the fixture to cool for at least 5 minutes before handling.



■ **Maintenance**

Before starting any maintenance work or cleaning the projector, cut off power from the mains supply. After switching off, do not remove any p



■ **The light source**

The light source in this fixture shall be replaced by the manufacturer or its service agent or similar qualification.

Always disconnect from mains before replacing the light.



■ **Protection against explosion**

The protection screen, lens or ultraviolet screen on the lamp can be damaged to the degree of failure if visible damage, such as a crack or deep mark, should be replaced.



■ **Protection optical radiation**

Never look directly into the light source. You risk injury to your retina, which may induce blindness.



Do not look at LEDs with magnifiers, telescopes, binoculars or similar optical instruments that may concentrate the light output.



The product implementation standard: GB 7000.1-2015 GB7000.217-2008

The products referred to in this manual conform to the European Community Directives to which they are subject:

Low Voltage 2014/35/EU

Electromagnetic Compatibility 2014/30/EU

## TECHNICAL INFORMATION

- **Power supplies available**

AC100-240V~, 50/60Hz

- **Power**

100W, PF 0.988

- **LED chip:**

Tian xin 15W, RGBW 4 in 1 LED chip

- **LED QTY** : 10PCS.

- **Average life** : 50000h

- **Color** :

RGBW macro color system. LED can be controlled pixel by pixel, delivering versatile effects.

- **Strobe** :

1-30 times/second electronic strobe and random strobe.

- **Dimmer**: 65536 class dimmer

- **Control Mode** : DMX512,RDM

- **Channel** :

Standard channel:9CH; Extend channel: 45CH;18CH;25CH;40CH.

- **Lens degree** : 22° (standard) ; (optional)8° ; 15° ; 45° .

- **Attachment Devices**

Quick lock seamless splicing (same light source distance after splicing)

- **IP65 protection**

- **Light size**: 1000×86×190

- **Box Size** :

1020X100X215MM(1 sets- The inner packing)

N.W.: 7.3Kg , G.W.:9.45Kg

1035X580X235MM(5 sets-The outer packing)

N.W.: 36.5Kg , G.W.:41.5Kg

- **Flycase Size** (5SETS-standard):

1065X630X385MM

N.W.: 36.5Kg , G.W.: 65.00Kg

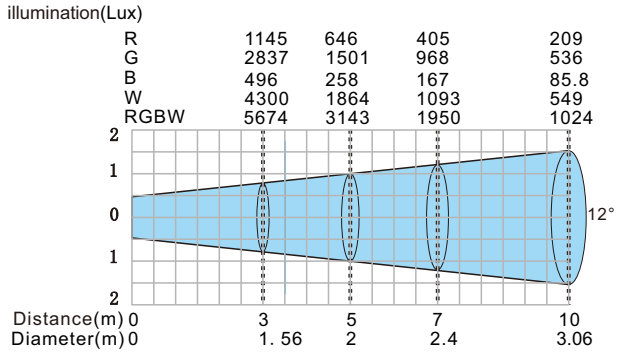
- **Flycase Size** (8SETS-optional):

1060X510X640

N.W.: 58.4Kg , G.W.: 99.5Kg

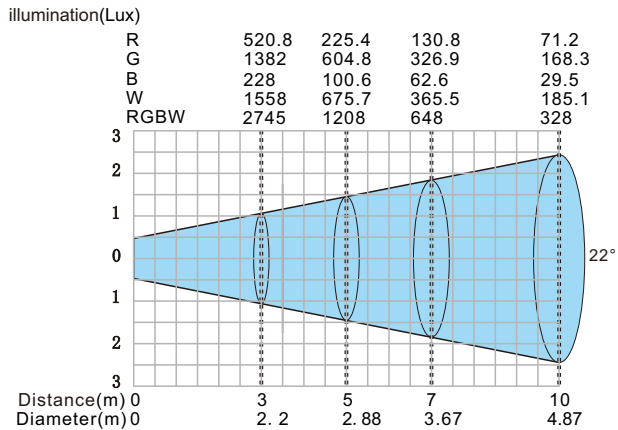
**Distance, spot diameter and illumination diagram**

**8° lens**



**Distance, spot diameter and illumination diagram**

**15° lens**

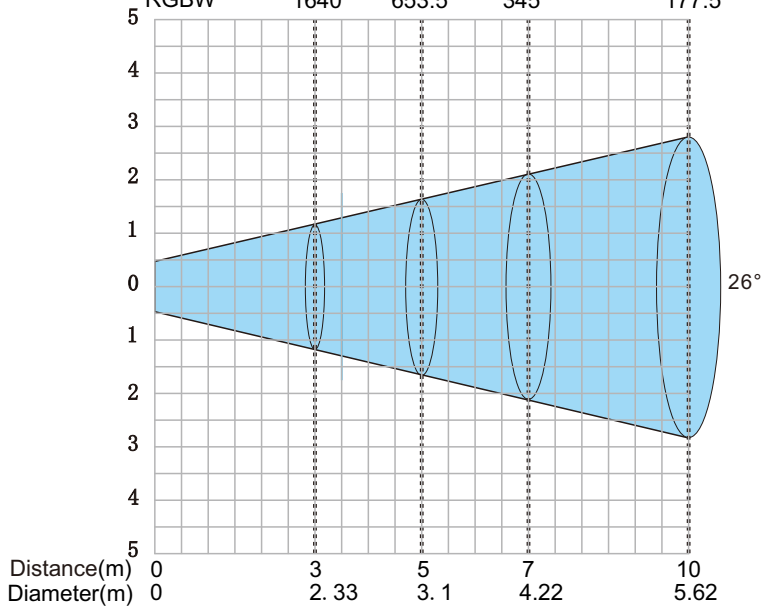


## Distance, spot diameter and illumination diagram

22° lens

illumination(Lux)

R	323.8	132.8	70.8	36.8
G	784.3	318.5	166.9	84.8
B	154.5	64.1	33.9	16.5
W	954.5	376.9	200.5	102.5
RGBW	1640	653.5	345	177.5

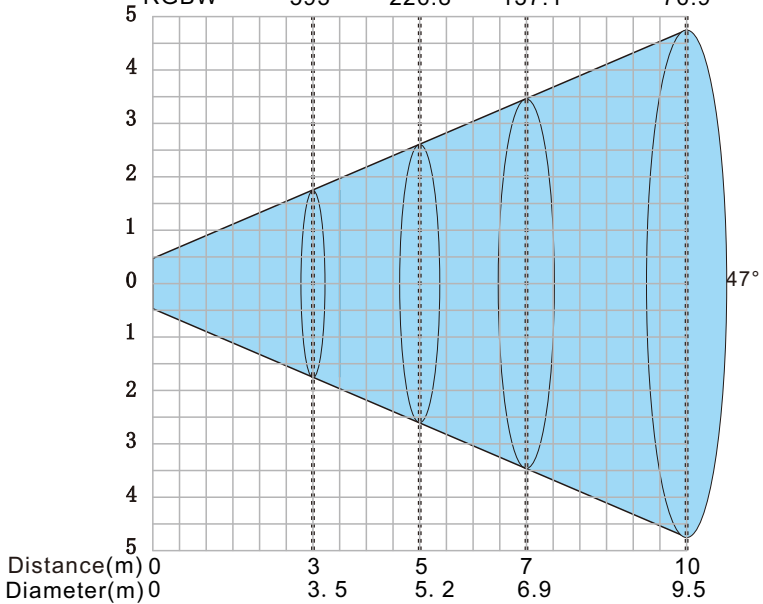


## Distance, spot diameter and illumination diagram

45° lens

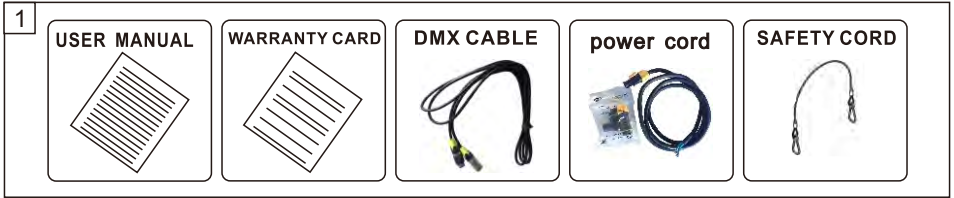
illumination(Lux)

R	108.2	43.3	27.6	15
G	275	107.3	68.3	36
B	52.6	19.8	14.1	7.5
W	350	133.5	79	48.5
RGBW	593	226.8	137.1	76.9



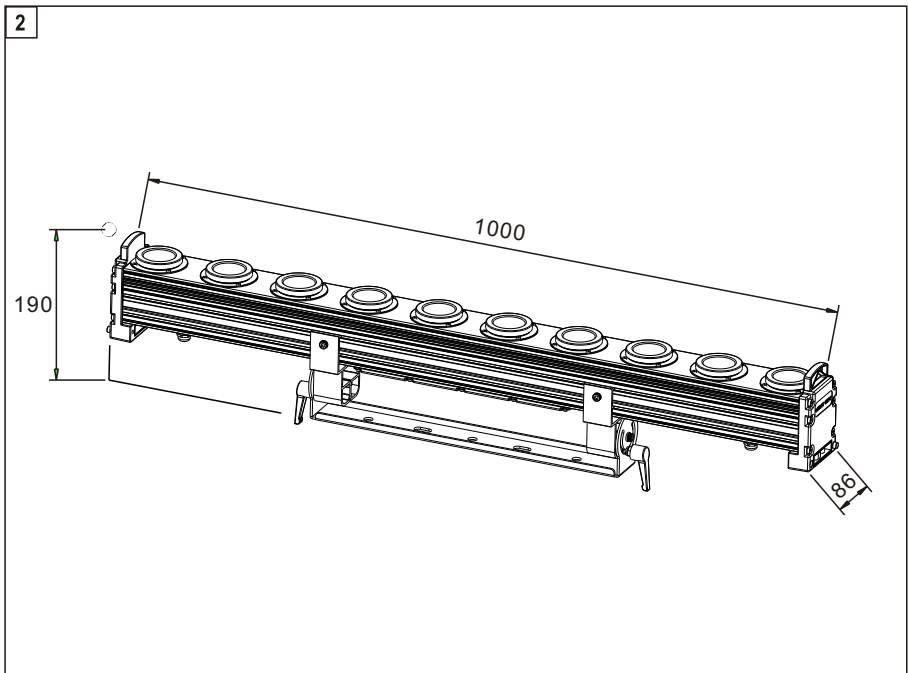


## ATTACHMENT AND BODY SIZE



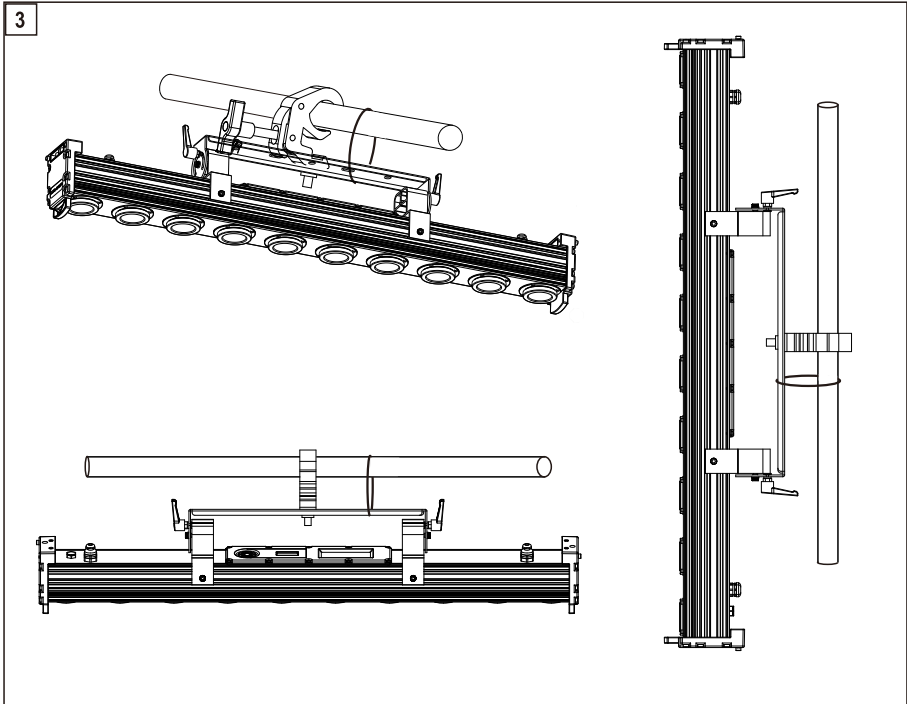
Attachment contents- Fig. 1

◆Each of the eight stage lights delivers a power cord and a signal line.



Body Size---Fig 2

## INSTALLATION AND CONNECTING



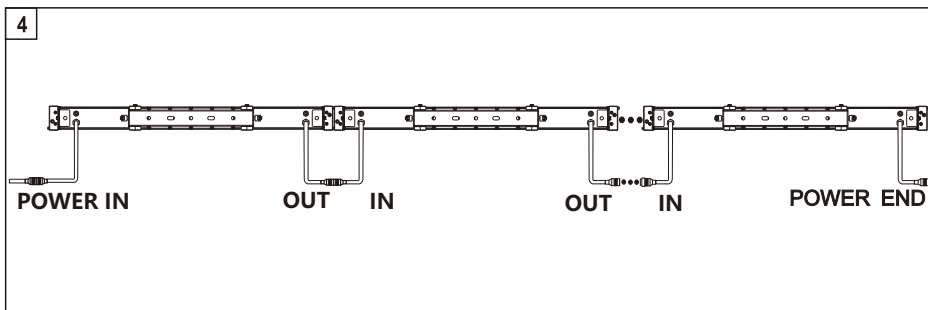
Installing the projector- Fig. 3

The projector can be installed on the floor resting on special rubber feet, on a truss or on the ceiling or wall.  
**WARNING:**with the exception of when the projector is positioned on the floor, the safety rope must be fitted. This must be securely fixed to the support structure of the projector and then connected to the fixing point at the centre of the base.



Make sure all parts for fixing the projector are in a good state of repair.

Make sure the point of anchorage is stable before positioning the projector.

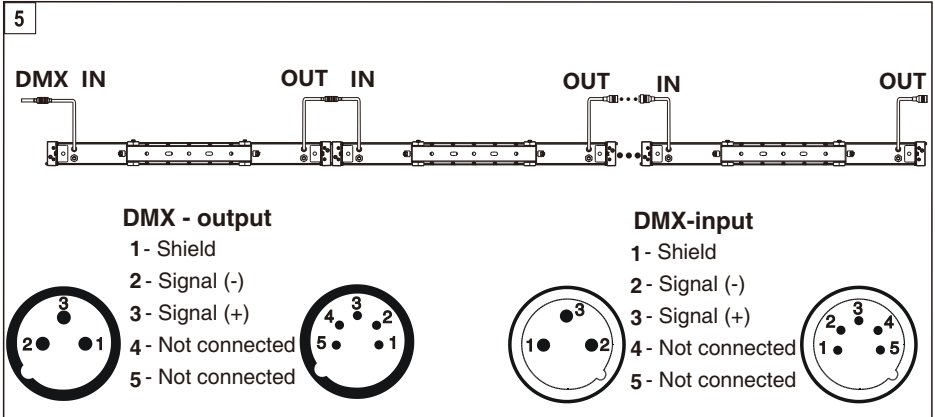
When suspending the fixture, ensure that the supporting structure and all hardware used can hold at least 10 times the weight of all the devices they support.



Connecting to the mains supply ---Fig 4

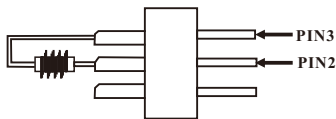
Conductor	Symbol	Wire Color (EU models)	Wire Color (US models)
live	<b>L</b>	brown	black
neutral	<b>N</b>	blue	white
ground(earth)	 or 	yellow-green	green

- The stage lighting power supply can not be more than 10pcs pre line
- connection to the electricity mains must be carried out by a qualified electrical installer.
- After doing the above operation and making sure all the devices had been installed with natural operate, press the power switch to check whether every -thing is working normally.



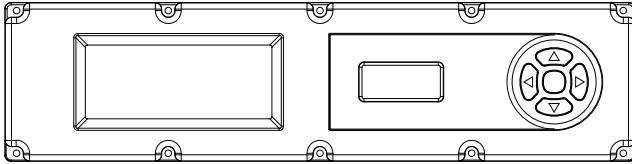
Connecting to the control signal line (DMX) - Fig. 5

- © Please use the round 3 or 5-pin XLR plugs & sockets offered by menu manufacture to connect the first projector's output to the second projector' input and connect the second projector's output to the third projector's input. And in the same way for the rest, eventually connect the last projector's output, all the projectors are together
- © The projectors's control signal output or input by using the 3 or 5-pin XLR pug and socket. If need to lengthen the communication cable, please make sure the both side of 3 or 5-pin plug is one to one . (one to one, two to two, three to three). Otherwise, the communication cable will be interrupted. The communicate cable is 2-cord screened cable 75Ω resistance with each core is at least a 0.5mm diameter. (**Caution:** All the inside leading wire of 3 or 5-pin XLR plug couldn't touch each other or pinth).
- © Recommend to use the DMX signal terminator for the installation to avoid the electronic noise damage the digital control signal. Simply speaking, DMX terminator is an XLR connector with a 120Ω 1/2W resistor connected across pin 2 and 3. Which is then plugged into the output socket on the last projector in the chain. Refer to the connection.

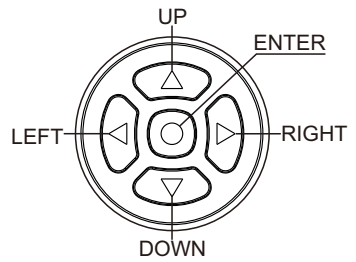


## CONTROL PANEL

6



**Up arrowhead : page up**  
**Down arrowhead : page down**  
**Left arrowhead : reduce**  
**Right arrowhead : increase**  
**Enter : OK function**  
**Exit : in the choice screen**



**MENU SETTING**

Main menu	I menu	II menu	note
<b>Setting</b>	Address	ADD:000- 512	
	Channel	9CH	
		45CH	
		25CH	
		18CH	
		40CH	
	DMX. Fuc	Hold	
		Black	When the signal is disconnected, the lamp remains in its final state
		Red	
		Green	
		Blue	
		White	
		R&G	
		R&B	
		R&W	
		G&B	
		G&W	
		B&W	
		Pro1	
		Pro2	
	Pro3		
	Pro4		
	FSCE		
	M-s	Slav	
Mast			
D-SP	SP 00-99	Adjust the built-in 1-4 program speed	
FSCE	D000-255		
	S000-255		
	R000-255		
	G000-255		
	B000-255		

Main menu	I menu	II menu	note
Setting	FSCE	W000-255	
		M000-255	
		Z000-255	
		Return	
Information	List	Dim 000-255	
		Shu 000-255	
		Red 000-255	
		Gree 000-255	
		Blue 000-255	
		Whit 000-255	
		Macr 000-255	
		Eff 000-255	
	EF-S000-255		
	Vers	V1.00	
Manual	Dim 000-255		Dimmer
	Shu 000-255		Shutter
	Red 000-255		Red
	Gree 000-255		Green
	Blue 000-255		Blue
	Whit 000-255		White
	Macr 000-255		Colors Macro
	Eff 000-255		Effects of Macro
	EF-S000-255		Effects of Speed
Return		Return	
Server			

## CHANNEL FUNCTION

### channel ( Standard 9CH )

Channel	DMX	Percentage	Function
1	0-255	Dimmer	
2	0-255	Shutter	
3	0-255	Red 、 Red-1	
4	0-255	Green 、 Green-1	
5	0-255	Blue 、 Blue-1	
6	0-255	White 、 White-1	
7	0-255	Macro	
8	0-255	Effect	
	0-5	NO Function	
	6-10	Effect1	
	11-15	Effect2	
	16-20	Effect3	
	21-25	Effect4	
	26-30	Effect5	
	31-35	Effect6	
	36-40	Effect7	
	41-45	Effect8	
	46-50	Effect9	
	51-55	Effect10	
	56-60	Effect11	
	61-65	Effect12	
	66-70	Effect13	
	71-75	Effect14	
	76-80	Effect15	
	81-85	Effect16	
	86-90	Effect17	
	91-95	Effect18	
	96-100	Effect19	
	101-105	Effect20	
	106-110	Effect21	
	111-115	Effect22	
116-120	Effect23		
121-125	Effect24		



Channel	DMX		Percentage	Function
	126-130		Effect25	
	131-135		Effect26	
	136-140		Effect27	
	141-145		Effect28	
	146-150		Effect29	
	151-155		Effect30	
	156-160		Effect31	
	161-165		Effect32	
	166-170		Effect33	
	171-175		Effect34	
	176-180		Effect35	
	181-185		Effect36	
	186-190		Effect37	
	191-195		Effect38	
	196-200		Effect39	
	201-205		Effect40	
	206-210		Effect41	
	211-215		Effect42	
	216-220		Effect43	
	211-255		NO Function	
9	0-255		Effect Speed	

**channel (Extended 45CH)**

<b>Channel</b>	<b>DMX</b>	<b>Percentage</b>	<b>Function</b>
<b>1</b>	0-255	0-100	Dimmer
<b>2</b>	0-255	0-100	Shutter
<b>3</b>	0-255	0-100	Red 1
<b>4</b>	0-255	0-100	Green 1
<b>5</b>	0-255	0-100	Blue 1
<b>6</b>	0-255	0-100	White 1
<b>7</b>	0-255	0-100	Red 2
<b>8</b>	0-255	0-100	Green 2
<b>9</b>	0-255	0-100	Blue 2
<b>10</b>	0-255	0-100	White 2
<b>11</b>	0-255	0-100	Red 3
<b>12</b>	0-255	0-100	Green 3
<b>13</b>	0-255	0-100	Blue 3
<b>14</b>	0-255	0-100	White 3
<b>15</b>	0-255	0-100	Red 4
<b>16</b>	0-255	0-100	Green 4
<b>17</b>	0-255	0-100	Blue 4
<b>18</b>	0-255	0-100	White 4
<b>19</b>	0-255	0-100	Red 5
<b>20</b>	0-255	0-100	Green 5
<b>21</b>	0-255	0-100	Blue 5
<b>22</b>	0-255	0-100	White 5
<b>23</b>	0-255	0-100	Red 6
<b>24</b>	0-255	0-100	Green 6
<b>25</b>	0-255	0-100	Blue 6
<b>26</b>	0-255	0-100	White 6
<b>27</b>	0-255	0-100	Red 7
<b>28</b>	0-255	0-100	Green 7
<b>29</b>	0-255	0-100	Blue 7
<b>30</b>	0-255	0-100	White 7
<b>31</b>	0-255	0-100	Red 8
<b>32</b>	0-255	0-100	Green 8

<b>Channel</b>	<b>DMX</b>	<b>Percentage</b>	<b>Function</b>
<b>33</b>	0-255	0-100	Blue 8
<b>34</b>	0-255	0-100	White 8
<b>35</b>	0-255	0-100	Red 9
<b>36</b>	0-255	0-100	Green 9
<b>37</b>	0-255	0-100	Blue 9
<b>38</b>	0-255	0-100	White 9
<b>39</b>	0-255	0-100	Red 10
<b>40</b>	0-255	0-100	Green 10
<b>41</b>	0-255	0-100	Blue 10
<b>42</b>	0-255	0-100	White 10
<b>43</b>	0-255	0-100	Macro
<b>44</b>	<b>Effects</b>		
	0-5		No Function
	6-10		Effect1
	11-15		Effect2
	16-20		Effect3
	21-25		Effect4
	26-30		Effect5
	31-35		Effect6
	36-40		Effect7
	41-45		Effect8
	46-50		Effect9
	51-55		Effect10
	56-60		Effect11
	61-65		Effect12
	66-70		Effect13
	71-75		Effect14
	76-80		Effect15
	81-85		Effect16
	86-90		Effect17
91-95		Effect18	
96-100		Effect19	

<b>Channel</b>	<b>DMX</b>	<b>Percentage</b>	<b>Function</b>
<b>44</b>	101-105	0-100	Effect20
	106-110	0-100	Effect21
	111-115	0-100	Effect20
	116-120	0-100	Effect23
	121-125	0-100	Effect24
	126-130	0-100	Effect25
	131-135	0-100	Effect26
	136-140	0-100	Effect27
	141-145	0-100	Effect28
	146-150	0-100	Effect29
	151-155	0-100	Effect30
	156-160		Effect31
	161-165		Effect32
	166-170		Effect33
	171-175		Effect34
	176-180		Effect35
	181-185		Effect36
	186-190		Effect37
	191-195		Effect38
	196-200		Effect39
201-205		Effect40	
206-210		Effect41	
211-215		Effect42	
216-220		Effect43	
221-255		No Function	
<b>45</b>	0-255		Effects Speed

## channel ( 25CH )

Channel	DMX	Percentage	Function
1	0-255	Dimmer	
2	0-255	Shutter	
3	0-255	C1	
4	0-255	C2	
5	0-255	C3	
6	0-255	C4	
7	0-255	C5	
8	0-255	C6	
9	0-255	C7	
10	0-255	C8	
11	0-255	C9	
12	0-255	C10	
13	0-255	W1	
14	0-255	W2	
15	0-255	W3	
16	0-255	W4	
17	0-255	W5	
18	0-255	W6	
19	0-255	W7	
20	0-255	W8	
21	0-255	W9	
22	0-255	W10	
23	0-255	Macro	
24	0-255	Effect	
	0-5	NO Function	
	6-10	Effect1	
	11-15	Effect2	
	16-20	Effect3	
	21-25	Effect4	
	26-30	Effect5	
	31-35	Effect6	
	36-40	Effect7	
	41-45	Effect8	
	46-50	Effect9	
	51-55	Effect10	
	56-60	Effect11	
	61-65	Effect12	
	66-70	Effect13	
71-75	Effect14		
76-80	Effect15		

Channel	DMX	Percentage	Function
24	81-85	Effect16	
	86-90	Effect17	
	91-95	Effect18	
	96-100	Effect19	
	101-105	Effect20	
	106-110	Effect21	
	111-115	Effect22	
	116-120	Effect23	
	121-125	Effect24	
	126-130	Effect25	
	131-135	Effect26	
	136-140	Effect27	
	141-145	Effect28	
	146-150	Effect29	
	151-155	Effect30	
	156-160	Effect31	
	161-165	Effect32	
	166-170	Effect33	
	171-175	Effect34	
	176-180	Effect35	
181-185	Effect36		
186-190	Effect37		
191-195	Effect38		
196-200	Effect39		
201-205	Effect40		
206-210	Effect41		
211-215	Effect42		
216-220	Effect43		
211-255	NO Function		
25	0-255	Effect Speed	

**CHANNEL ( 18CH)**

<b>Channel</b>	<b>DMX</b>		<b>Percentage</b>	<b>Function</b>
1	0-255		Dimmer	
2	0-255		Shutter	
3	0-255		Red	
4	0-255		Green	
5	0-255		Blue	
6	0-255		White	
7	0-255		C1	
8	0-255		C2	
9	0-255		C3	
10	0-255		C4	
11	0-255		C5	
12	0-255		C6	
13	0-255		C7	
14	0-255		C8	
15	0-255		C9	
16	0-255		C10	
17	0-255		Effect	
	0-5		NO Function	
	6-10		Effect1	
	11-15		Effect2	
	16-20		Effect3	
	21-25		Effect4	
	26-30		Effect5	
	31-35		Effect6	
	36-40		Effect7	
	41-45		Effect8	
	46-50		Effect9	
	51-55		Effect10	
	56-60		Effect11	
	61-65		Effect12	
	66-70		Effect13	
	71-75		Effect14	
	76-80		Effect15	
	81-85		Effect16	
	86-90		Effect17	
	91-95		Effect18	
	96-100		Effect19	
	101-105		Effect20	
	106-110		Effect21	
111-115		Effect22		
116-120		Effect23		

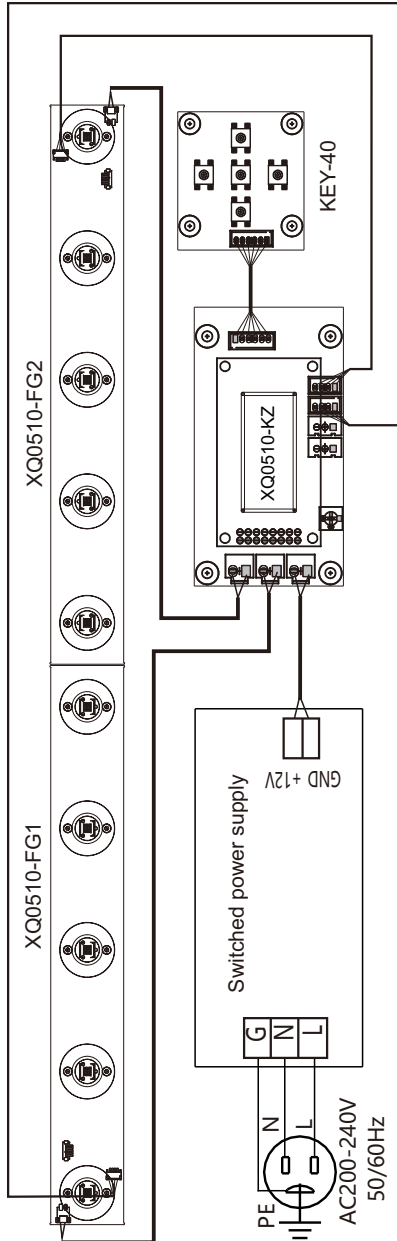
Channel	DMX		Percentage	Function
17				
	121-125		Effect24	
	126-130		Effect25	
	131-135		Effect26	
	136-140		Effect27	
	141-145		Effect28	
	146-150		Effect29	
	151-155		Effect30	
	156-160		Effect31	
	161-165		Effect32	
	166-170		Effect33	
	171-175		Effect34	
	176-180		Effect35	
	181-185		Effect36	
	186-190		Effect37	
	191-195		Effect38	
	196-200		Effect39	
201-205		Effect40		
206-210		Effect41		
211-215		Effect42		
216-220		Effect43		
211-255		NO Function		
18	0-255		Effect Speed	



## CHANNEL ( 40CH )

Channel	DMX	Percentage	function	note
1	0-255		Red	
2	0-255		Green	
3	0-255		Blue	
4	0-255		White	
5	0-255		Red	
6	0-255		Green	
7	0-255		Blue	
8	0-255		White	
9	0-255		Red	
10	0-255		Green	
11	0-255		Blue	
12	0-255		White	
13	0-255		Red	
14	0-255		Green	
15	0-255		Blue	
16	0-255		White	
17	0-255		Red	
18	0-255		Green	
19	0-255		Blue	
20	0-255		White	
21	0-255		Red	
22	0-255		Green	
23	0-255		Blue	
24	0-255		White	
25	0-255		Red	
26	0-255		Green	
27	0-255		Blue	
28	0-255		White	
29	0-255		Red	
30	0-255		Green	
31	0-255		Blue	
32	0-255		White	
33	0-255		Red	
34	0-255		Green	
35	0-255		Blue	
36	0-255		White	
37	0-255		Red	
38	0-255		Green	
39	0-255		Blue	
40	0-255		White	

CIRCUIT CONNECTING DIAGRAM



## CLEANING AND MAINTENANCES

- 1. In order to ensure the projector could work normally. It should be kept clean always .  
The lens should also be regularly cleaned to maintain an optimum light output.  
Do not use any type of solvent on lens. It will damage the projector.
  
- 2. Suggestion: The continue usage of the light don't exceed 4 hours. Or it will shorter the usage of the lamp. Please use the alternative operation to solve this problem.  
The fixture power ON time is best not over 48 hours, or it would generate lamp protection procedure.
  
- 3. Please disconnect the power supply when begin to maintenance take down the light.  
Please let the parts cool down 10 minute at least then begin to install.
  
- 4. Please inspect the lens or other moving parts timing and keep them clear and static.  
If find anything damaged or looseness must change a lamp or fix the lamp in order to avoid the accident.  
Please check the machanical parts is jamging. After cleaning, please add some temperature -durable juice.
  
- 5. The light use the strong cool system. It is easy for the dirty to be colletced. Please do clear the hot-sak one time two week at least.
  
- 6. After you use the light, please check the intake place whether there are some wastepaper, please clean it up, or the windmill will break down and causing fire.

### **CAUTION!**

**Disconnect from mains before starting maintenance operation.**

## TROUBESHOOTING

It is recommended some solution for some normal trouble shooting. Any inextricability problems should always be handling by the professional person. Disconnect the power supply before maintenance the light.

### ■ LED off

- 1.Please check if install the suitable voltage
- 2.Please check whether the led will reach the end of their life can explode; please replace a same description led.
- 3.Please check if the power supply is enough.
- 4.Please check whether the DMX 512 controller pass the "turn on" order.

### ■The light couldn't accept the control order:

- 1.Please check the start code address and the function option are correct.
- 2.Please check whether the communicate control cable is on good connection or the cable is too long or interrupt.
- 3.Please check the control system is not valid, check the signal amplifier of chain connected is valid.
- 4.Please check whether the communicate cable is too long or the other equipment is mutually conjugate.
- 5.Please arrange the wire well, shorter the signal cable, put the high voltage cable and low voltage cable separately.
- 6.Add the signal amplify isolator ;
- 7.Signal cable is used the excellent screening doublet (Resistance 75 OHM )
- 8.The end of the light end and the end resistance.

### ■The light can't move

- 1.Please check if the power supply is suitable for the light voltage data.
- 2.Please check the light if they are deformation, inside parts is broken, become wet etc will lead the loose contact.
- 3.Please check the if the inside lead wire and the connector is loose.
- 4.Please check the electric parts(such as the transformer,PCB board,contrller) is short-circuit or burn down.

## DUTY EXONERATIVE AND COPYRIGHT PROTECTION

- ◇The lamp belongs to consumption products that is not guarantee to keep it in good repair.
- ◇Any products broken that didn't according to the instruction is not guarantee to keep it in good repair.
- ◇The commentary for all the instruction belongs to the supplier in final.
- ◇No authorize can't copy.
- ◇The information in this manual may be changed in the future,the company reserve the right to change the data without any advise.