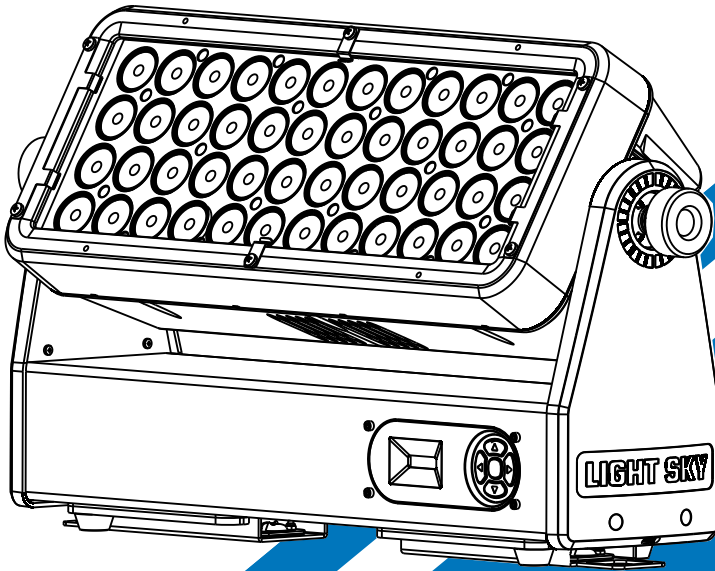


LIGHT SKY[®]

FLY DRAGON LIGHTING EQUIPMENT CO.,LTD

SIRENA



WWW.LIGHTSKY.COM.CN

User Manual

Please read the instruction carefully before use

CONTENTS

1. Safety Instructions.....	2
2. Technical Specifications	5
2.1 Attachment And Size	7
3. Control Panel	8
4. How To Set The Unit.....	9
4.1 Main Function.....	9
5. Control By Universal DMX Controller	14
5.1 DMX 512 Connection.....	14
5.2 Channel Setting.....	15
5.3 Address Setting	15
5.4 DMX 512 Configuration.....	16
6. Electrical Connection Diagram.....	22
7. Troubleshooting.....	23
8. Fixture Cleaning.....	24
9. Duty exonerative and copyright protectio.....	24

Congratulations on choosing our company product! We thank you for your custom.

- ◆ Please keep in mind that this product, like other products of the company, adheres to the concept of people-oriented design and manufacture, and takes product quality as the foundation.
- ◆ We put the interests of customers first, and do our best to meet customer requirements.
- ◆ Please read this instruction manual carefully and keep it for future reference. In the case of fully understanding the product information, strictly abide by theUse the instruction manual to ensure that the product is installed, used and serviced correctly and safely.
- ◆ Our company is not responsible for any damage to lamps or other performance due to personal failure to follow the instructions during installation, use and maintenance.responsibility.
- ◆ Our company reserves the right to modify the manual at any time and without prior notice.

1.Safety Instructions



Please read the instruction carefully which includes important information about the installation, usage and maintenance.

WARNING

Please keep this User Manual for future consultation. If you sell the unit to another user, be sure that they also receive this manual.

The following symbols are used to identify important safety information on the product and in this manual:



DANGER!

Safety hazard.
Risk of severe injury or death.



DANGER!

Refer to manual before installing, powering or servicing.



DANGER!

Hazardous voltage. Risk of severe or lethal electric shock.



Warning!

Fire hazard.



Warning!

Burn hazard.
Hot surface.
Do not touch.



Warning!

Risk of eye injury. Safety glasses must be worn.



Warning!

Risk of hand injury. Safety gloves must be worn.



Applies only to luminaires directly mounted on surfaces of non-combustible materials



Replace all shatter shields



Take a short distance from the object to be photographed (meters)



Rated maximum ambient temperature



Do not point the lens towards the sun or strong light



Operation not allowed during runtime

Important:

Damages caused by the disregard of this user manual are not subject to warranty.

The dealer will not accept liability for any resulting defects or problems.

- Unpack and check carefully to ensure that there is no transportation damage before using the unit.
- DO install and operate by qualified operator.
- The light source in this luminaire should be replaced by the manufacturer or its service agent or a similarly qualified person, always cut off the power supply before replacing the light source.
- DO NOT allow children to operate the fixture.
- Use safety chain when fixing the unit. Handle the unit by carrying its base instead of head only.

- The unit must be installed in a location with adequate ventilation, at least 20cm from adjacent surfaces.
- Be sure that no ventilation slots is blocked, otherwise the unit will be overheated.
- Before operation, ensure that you are connecting this product to the proper voltage in accordance with the specifications in this manual or on the product's specification label.
- It's important to ground the yellow/green conductor to earth in order to avoid electric shock.
- Minimum ambient temperature TA: -20°C. Maximum ambient temperature TA: 45°C. Do not operate this product at a lower or higher temperature.
- DO NOT connect the device to any dimmer pack.
- When the lamp is running, do not place combustible objects next to it. The shortest distance between the device and inflammable and explosive objects or materials is 0.5m.
- Make sure the power cord is not crimped or damaged; replace it immediately if damaged.
- Unit's surface temperature may reach up to 80°C. DO NOT touch the housing bare-handed during its operation.
- Avoid any flammable liquids, water or metal from entering the unit. Once it happens, cut off the mains power immediately.
- DO NOT operate in a dirty or dusty environment. DO clean the fixture regularly.
- DO NOT touch any wire during operation as there might be a hazard of electric shock.
- Avoid entanglement of the power cord with other wires.
- The minimum distance to objects/surface must be more than 3 meters.
- In the event of serious operating problem, stop using the unit immediately.
- Never turn on and off the unit time after time.
- The housing, the lenses, or the ultraviolet filter must be replaced if they are visibly damaged.
- DO NOT open the housing as there are no user serviceable parts inside.
- DO NOT attempt to operate this unit if it becomes damaged. DO NOT attempt any repairs yourself. Repairs carried out by unskilled people can lead to damage or malfunction. Please contact the nearest authorized technical assistance center if needed.
- Disconnect this product from its power source before servicing.
- DO use the original packaging if the device is to be transported.
- Avoid direct eye exposure to the light source while the product is on.

- DO NOT operate this product if you see damage on the housing, shields, or cables. Have the damaged parts replaced by an authorized technician at once.

Installation:

The fixture should be fixed on the clamp. Always ensure that the unit is firmly fixed to avoid vibration and slipping off during operation. Ensure that the trussing or area of installation must be able to hold 10 times the weight without any deformation. Always install a safety cable that can hold at least 12 times the weight of the fixture when installing.

DO install and operate by qualified operator. It must be installed in a place where there is out of the reach of people.

2. Technical Specifications

OPTICAL

- Luminous flux: 27000 lm
- Light Source: 48pcs*15W RGBL LED
- Color temperature: 2200K ~ 8500K adjustable
- Lens Angle: 18° (15°/22°/25° optional)
- Diffuser Angle: (20°/30°/40°/55° optional)

EFFECT

- Dimmer: 16Bit, 0-100% linear dimming, four dimming curves are optional
- Stroboscopic: 1-25 electron stroboscopic and random stroboscopic
- LED frequency : 1000Hz ~ 25KHz

CONTROL

- Control mode: DMX512, RDM
- Menu Displays device temperature, channel data, and software version information
- RDM Indicates bidirectional data transmission
- Channel mode: Default:9CH, 24CH, 20CH, 16CH, 1CH, 3CH, 4CH-1, 4CH-2, 5CH, 7CH
see channel table for details

SOFTWARE

- Upgrade software through the DMX signal interface
- Intelligent temperature control to ensure LED life
- Silent fan, intelligent temperature detection
- Tilt Movement: Tilt rotation Angle $\pm 100^\circ$ manual adjustment

POWER

- voltage: VAC 100-240V 50/60Hz
- Maximum power: 620W
- Power factor: 0.996

SIZE & WEIGHT

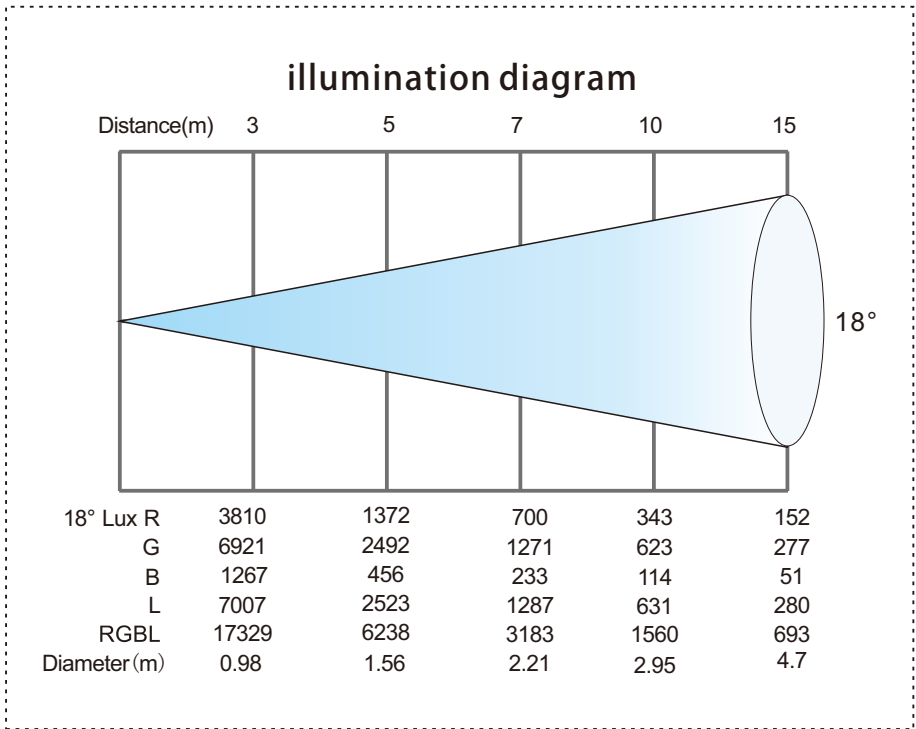
- size: 540mm×144mm×290mm
- standard carton packing (1sets) :620mm x 265mm x 365mm
- N.W: 12.9 Kg G.W: 14.9Kg
- Flycase (option-5 sets) :1000mmx730mmx470mm
- N.W: 64.5 Kg G.W: 100.2Kg

OTHERS

- IP rate: IP65
- Working Ambient: -20 ° C to 45 ° C
- Maximum fixture connect in Power: 2 /110V 4 /220V
- Maximum current of fixture: 110V Maximum current: 5.6A; 220V maximum current: 2.82A
- Optional accessories: hanger assembly, shutters assembly, folding shutters assembly

APPROVALS

- The product implementation standard: GB 7000.1-2015 GB7000. 217-2008
- Approved certifications: CE、RoHs
- The product complies with the following EU directives:
- Low Voltage Directive 2014/35/EU . EMC Directive 2014/30/EU

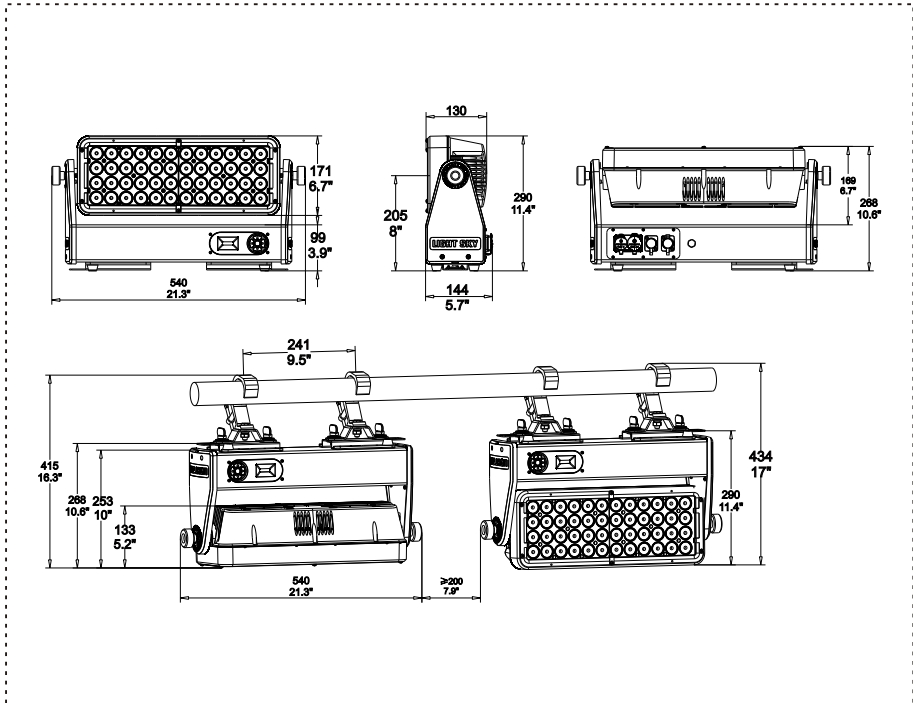


2.1.Attachment And Size

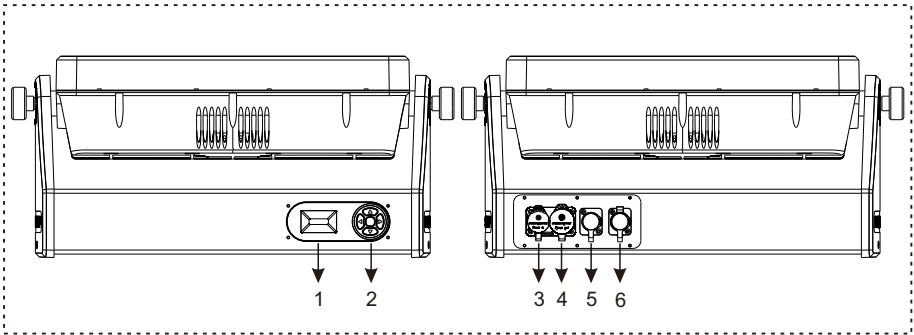
Attachment contents-Fig.1



Size-Fig.2



3.Control Panel



1. Display: To show the various menus and the selected function.

2. Button:

●	OK confirmation key
▲	UP
▼	DOWN
◀	To the left
▶	To the right

3. Power input: connect to the power supply.

4. Power output: connect to the lamp power output adapter.

5. DMX input: for DMX512 connection, use 3 or 5-core XLR signal cable to connect console and lamps, and input DMX signal.

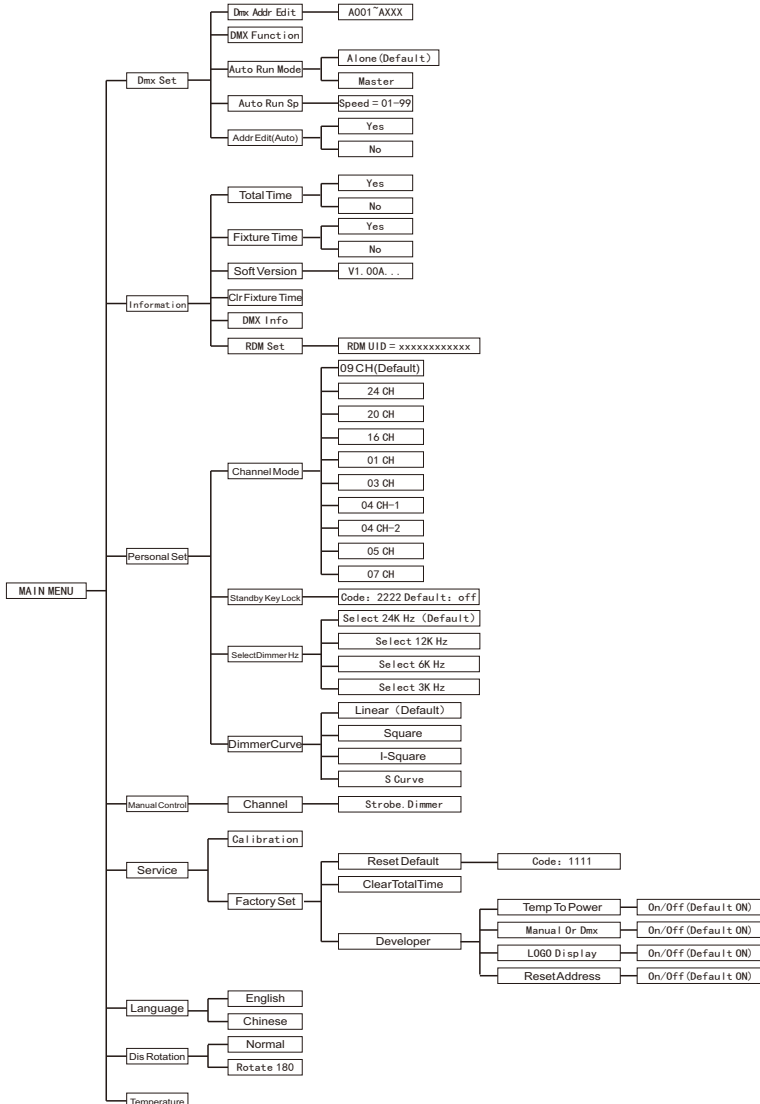
6. DMX output: used for DMX512 connection, use 3 or 5-core XLR signal cable to connect console and lamps, and output DMX signal.

4.How To Set The Unit

4.1.Main Function

Turn on the fixture, press the OK button to enter the menu mode, use the UP/DOWN buttons to find the menu, when the preset menu is shown on the display, press the OK button to confirm, use the UP/DOWN buttons to select a submenu, then press the OK button to save Settings, use the left button to return to the previous menu.

The main functions are as follows:



● **Dmx Set**

Enter MENU, select the **Dmx Set** function, press the OK button to confirm, use the up/down buttons to select: address code setting, function, automatic mode, automatic running speed, automatic editing address code.

Dmx Addr Edit

Select **Dmx Addr Edit**, press the OK button to confirm, the current DMX address will be shown on the display. Use the up/down buttons to select addresses 001~512, and press the OK button to save.

Press the OK button to return to the previous menu.

DMX Function

Select **DMX Function**, press the OK button to confirm, use the up/down buttons to select the desired function: DMX Hold (default), DMX Black Burst, Red, Green, Blue, Lemon, Red+Green, Red+Blue, Red + lemon color, green + blue, green + lemon color, blue + lemon color, self-propelled program 1~12, press the OK button to save.

Press the left button to return to the previous menu.

Auto Run Mode

Select **Auto Run Mode**, press the OK button to confirm, use the Up/Down buttons to select the channel mode: Standalone (default), Host, and press the OK button to save.

Press the left button to return to the previous menu.

Auto Run Sp

Select **Auto Run Sp**, press the OK button to confirm, use the up/down buttons to adjust the self-running speed (01-99), press the OK button to save, the default self-running speed is 12. Press the left button to return to the previous menu.

Addr Edit (Auto)

Select **Addr Edit (Auto)**, press the OK button to confirm, use the Up/Down buttons to view the channel modes: Free Channel Mode, 09 Channel (default), 24 Channel, 20 Channel, 16 Channel, 01 Channel, 03 Channel, 04 Channel 1 , 04 channel 2, 05 channel, 07 channel, press the OK button to enter the selection interface, press

the up and down keys to select: Yes/No, press the OK key to confirm and return to the previous menu.

● Information

Enter the MENU menu, select the **Information** function, press the OK button to confirm, use the up/down buttons to select: total running time, device time, software version, clear device time, DMX channel information, RDM settings.

Total Time

Select **Total Time**, press the OK button to confirm, you can view the device: total time, total lighting time. Press the left button to return to the previous menu.

Fixture Time

Select **Fixture Time**, press the OK button to confirm, you can view the device: device time, lighting time. Press the left button to return to the previous menu.

Soft Version

Select **Soft Version**, press the OK button to confirm, you can view the device: current software version information. Press the left button to return to the previous menu.

Clr Fixture Time

Select **Clr Fixture Time**, press the OK button to confirm, you can clear the running time information of the device, this is a developer option, you need to enter the corresponding password to operate.

DMX Info

Select **DMX Info**, press the OK button to confirm, you can view the device: the channel information of the current channel. Press the left button to return to the previous menu.

RDM Set

Select **RDM Set**, press OK button to confirm, you can view the device: RDM_UID. Press the left button to return to the previous menu.

● Personal Set

Enter the MENU menu, select the **Personal Set** function, press the OK button to confirm, use the up/down buttons to select: channel mode, standby menu lock, select dimming frequency, select dimming curve.

Channel Mode

Select **Channel Mode**, press the OK button to confirm, you can use the up and down keys to select: 09 channel (default), 24 channel, 20 channel, 16 channel, 01 channel, 03 channel, 04 channel 1, 04 channel 2, 05 channel, 07 channel, Press the OK key to enter the selection confirmation and return to the previous menu.

Standby Key Lock

Select **Standby Key Lock**, press the OK button to confirm, enter the password: 2222, press the up and down buttons to select: On, Off (default), press the OK button to confirm and return to the previous menu.

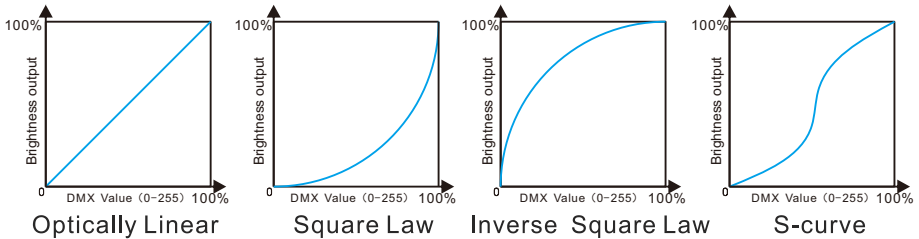
SelectDimmer Hz

SelectDimmer Hz, press the OK button to confirm, you can use the up and down keys to select: 12K Hz dimming, 6K Hz dimming, 3K Hz dimming, press OK to confirm and exit.

DimmerCurve

Select **DimmerCurve**, press the OK button to confirm, you can use the up and down keys to select: linear (default), square dimming, inverse square dimming, S-curve dimming, press the OK button to confirm and exit.

Dimmer Modes



• Manual Control

Enter the MENU menu, select the **Manual Control** function, press the OK button to confirm the entry, use the up and down keys to select each channel, press the left and right keys to adjust the DMX value of the selected channel, and press the OK button to return to the previous menu.

•Service

Enter the MENU menu, select **Service**, press the OK button to confirm, you can use the up and down keys to select: channel calibration, factory settings, press the OK key to confirm, and then press the left button to return to the previous menu.

Calibration

Select **Calibration**, press the up and down keys to select, press the OK button to confirm, you can fine-tune the saturation color of RGBL from 0 to 255 (default 000), then press the OK button to confirm and return to the previous menu.

Factory Set

Select **Factory Set**, press the up and down keys to select, press the OK button to confirm, you can use the up and down keys to select: restore factory settings (password: 1111), clear total time (developer option, inoperable), developer (temperature-related power: on/ OFF (default ON); MANUAL or DMX: ON/OFF (default ON); LOGO display switch: ON/OFF (default ON); RESET address code: ON/OFF (default OFF)), then press the OK button to return to Previous menu.

● Language

Enter the MENU menu, select the **Language** function, press the OK button to confirm, use the up/down buttons to select: English, Chinese (default), press the left button to return to the previous menu.

Description of special key functions: Press the left and right keys at the same time, hold for 3 seconds, and the display will switch between Chinese and English.

●Dis Rotation

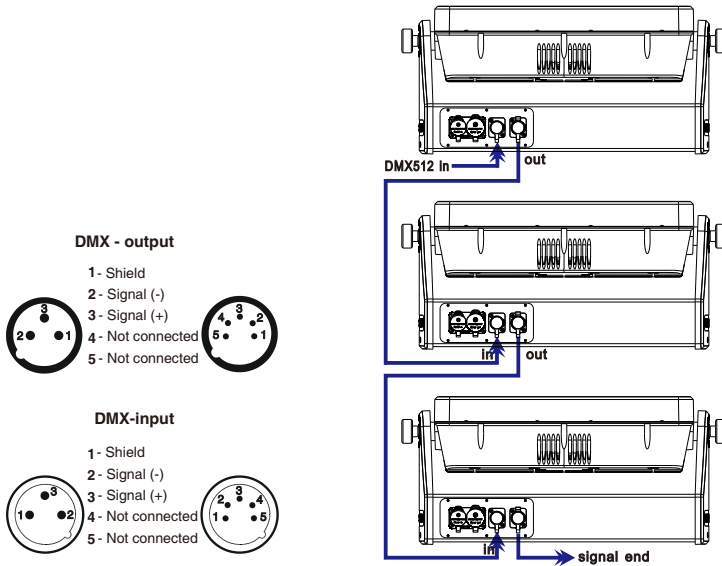
Enter the MENU menu, select the **Dis Rotation** function, press the OK button to confirm, use the up/down buttons to select: normal (default), rotate 180 degrees, press the left button to return to the previous menu. Description of special key functions: Press the up and down keys at the same time, hold for 3 seconds, the display direction will be reversed.

●Temperature

Enter the MENU menu, select the **Temperature** function, press the OK button to confirm, use the up/down buttons to select and view the temperature of the light-emitting panel of the device, and press the left button to return to the previous menu.

5. Control By Universal DMX Controller

5.1. DMX 512 Connection



1. At last unit, the DMX cable has to be terminated with a terminator. Solder a 1200hm 1/4W resistor between pin 2(DMX-) and pin 3(DMX+) into a 3-pin XLR-plug and plug it in the DMX-output of the last unit.
 2. Connect the unit together in a “daisy chain” by XLR plug cable from the output of the unit to the input of the next unit. The cable cannot be branched or split to a “Y” cable. DMX 512 is a very high-speed signal. Inadequate or damaged cables, soldered joints or corroded connectors can easily distort the signal and shut down the system.
 3. The DMX output and input connectors are pass-through to maintain the DMX circuit, when one of the units’ power is disconnected.
 4. Each lighting unit needs to have a DMX address to receive the data by the controller. The address number is between 1-512.
 5. The end of the DMX 512 system should be terminated to reduce signal errors.
 6. 3 pin XLR connectors are more popular than 5 pins XLR.
- 3 pin XLR: Pin 1: GND, Pin 2: Negative signal (-), Pin 3: Positive signal (+)
- 5 pin XLR: Pin 1: GND, Pin 2: Negative signal (-), Pin 3: Positive signal (+), Pin4, Pin5 not used.

5.2.Channel Setting

Enter the MENU menu, select the Personal Settings function, select the channel mode, press the OK button to confirm, you can use the up and down keys to select:09 channels (default), 24 channels, 20 channels, 16 channels, 01 channels, 03 channels, 04 channels 1, 04 channels 2, 05 channels, 07 channels,Press the OK key to enter the selection confirmation and return to the previous menu.

5.3.Address Setting

Enter MENU, select the DMX setting function, select the address code setting, press the OK button to confirm, the current DMX address will be displayed on the display. Use the up/down buttons to select addresses 001~512, and press the OK button to save. Press the OK button to return to the previous menu.

Please refer to the following diagram to address your DMX512 channel for the first 4 units.

Channel mode	Unit 1 Address	Unit 2 Address	Unit 3 Address	Unit 4 Address
9 CH	1	10	19	28
24 CH	1	25	49	73
20 CH	1	21	41	61
16 CH	1	17	33	49
01 CH	1	2	3	4
03 CH	1	4	7	10
04 CH-1	1	5	9	13
04 CH-2	1	5	9	13
05 CH	1	6	11	16
07 CH	1	8	15	22

5.4.DMX 512 Configuration

Please control the fixture by referring to the configurations below

9CH

Channel	Value/DMX	percentage	Function	Note
1	0..9 10..255		Shutter No function Strobe effect slow to fast	
2	0..255		Dimmer Dimmer 0%...100%	
3	0..255		Red 0-100% Red dimmer from dark to bright	
4	0..255		Green 0-100% Green dimmer from dark to bright	
5	0..255		Blue 0-100% Blue dimmer from dark to bright	
6	0..255		Lime 0-100% Lime dimmer from dark to bright	
7	0..2 3..49 50..99 100..149 150..199 200..249 250..255		Color temperature selection No function White Color Temp 3200K Section White Color Temp 4000K Section White Color Temp 5600K Section White Color Temp 6800K Section White Color Temp 7500K Section White Color Temp 8500K	
8	0..4 5..28 29..55 56..76 77..100 101..124 125..148 149..172 173..196 197..220 221..244 245..250 251..255		Pixel Macro No function Macro 1 Macro 2 Macro 3 Macro 4 Macro 5 Macro 6 Macro 7 Macro 8 Macro 9 Macro 10 Macro 11 Macro 12	
9	0..255		Macro Speed Macro Speed from slow to fast	
Remarks: After the address code is successfully written in batches, the lights will light up in sequence red, green, blue, lemon, and finally flash twice, and then switch back to the original light state.				

24CH

Channel	Value/DMX	percentage	Function	Note
1	0..9 10..255		Shutter No function Strobe effect slow to fast	
2	0..255		Dimmer Dimmer 0%...100%	
3	0..255		Red 0-100% Red dimmer from dark to bright	
4	0..255		Green 0-100% Green dimmer from dark to bright	
5	0..255		Blue 0-100% Blue dimmer from dark to bright	
6	0..255		Lime 0-100% Lime dimmer from dark to bright	
7	0..4 5..28 29..55 56..76 77..100 101..124 125..148 149..172 173..196 197..220 221..244 245..250 251..255		Pixel Macro No function Macro 1 Macro 2 Macro 3 Macro 4 Macro 5 Macro 6 Macro 7 Macro 8 Macro 9 Macro 10 Macro 11 Macro 12	
8	0..255		Macro Speed Macro Speed from slow to fast	
9	0..255		Red in Pixel 1 Red in pixel 1 saturation control (0-100%)	
10	0..255		Green in Pixel 1 Green in pixel 1 saturation control (0-100%)	
11	0..255		Blue in Pixel 1 Blue in pixel 1 saturation control(0-100%)	
12	0..255		Lime in pixel 1 Lime in pixel 1 saturation control(0-100%)	
13	0..255		Red in pixel 2 Red in pixel 2 saturation control(0-100%)	
14	0..255		Green in pixel 2 Green in pixel 2 saturation control(0-100%)	
15	0..255		Blue in pixel 2 Blue in pixel 2 saturation control(0-100%)	
16	0..255		Lime in pixel 2 Lime in pixel 2 saturation control(0-100%)	
17	0..255		Red in Pixel 3 Red in pixel 3 saturation control (0-100%)	
18	0..255		Green in pixel 3 Green in pixel 3 saturation control(0-100%)	
19	0..255		Blue in pixel 3 Blue in pixel 3 saturation control(0-100%)	
20	0..255		Lime in pixel 3 Lime in pixel 3 saturation control(0-100%)	
21	0..255		Red in Pixel 4 Red in pixel 4 saturation control (0-100%)	
22	0..255		Green in pixel 4 Green in pixel 4 saturation control(0-100%)	
23	0..255		Blue in pixel 4 Blue in pixel 4 saturation control(0-100%)	
24	0..255		Lime in pixel 4 Lime in pixel 4 saturation control(0-100%)	

20CH

Channel	Value/DMX	percentage	Function	Note
1	0..9 10..255		Shutter No function Strobe effect slow to fast	
2	0..255		Dimmer Dimmer 0%...100%	
3	0..4 5..28 29..55 56..76 77..100 101..124 125..148 149..172 173..196 197..220 221..244 245..250 251..255		Pixel Macro No function Macro 1 Macro 2 Macro 3 Macro 4 Macro 5 Macro 6 Macro 7 Macro 8 Macro 9 Macro 10 Macro 11 Macro 12	
4	0..255		Macro Speed Macro Speed from slow to fast	
5	0..255		Red in Pixel 1 Red in pixel 1 saturation control (0-100%)	
6	0..255		Green in Pixel 1 Green in pixel 1 saturation control (0-100%)	
7	0..255		Blue in Pixel 1 Blue in pixel 1 saturation control(0-100%)	
8	0..255		Lime in pixel 1 Lime in pixel 1 saturation control(0-100%)	
9	0..255		Red in pixel 2 Red in pixel 2 saturation control(0-100%)	
10	0..255		Green in pixel 2 Green in pixel 2 saturation control(0-100%)	
11	0..255		Blue in pixel 2 Blue in pixel 2 saturation control(0-100%)	
12	0..255		Lime in pixel 2 Lime in pixel 2 saturation control(0-100%)	
13	0..255		Red in Pixel 3 Red in pixel 3 saturation control (0-100%)	
14	0..255		Green in pixel 3 Green in pixel 3 saturation control(0-100%)	
15	0..255		Blue in pixel 3 Blue in pixel 3 saturation control(0-100%)	
16	0..255		Lime in pixel 3 Lime in pixel 3 saturation control(0-100%)	
17	0..255		Red in Pixel 4 Red in pixel 4 saturation control (0-100%)	
18	0..255		Green in pixel 4 Green in pixel 4 saturation control(0-100%)	
19	0..255		Blue in pixel 4 Blue in pixel 4 saturation control(0-100%)	
20	0..255		Lime in pixel 4 Lime in pixel 4 saturation control(0-100%)	

16CH

Channel	Value/DMX	percentage	Function	Note
1	0..255		Red in Pixel 1 Red in pixel 1 saturation control (0-100%)	
2	0..255		Green in Pixel 1 Green in pixel 1 saturation control (0-100%)	
3	0..255		Blue in Pixel 1 Blue in pixel 1 saturation control(0-100%)	
4	0..255		Lime in pixel 1 Lime in pixel 1 saturation control(0-100%)	
5	0..255		Red in pixel 2 Red in pixel 2 saturation control(0-100%)	
6	0..255		Green in pixel 2 Green in pixel 2 saturation control(0-100%)	
7	0..255		Blue in pixel 2 Blue in pixel 2 saturation control(0-100%)	
8	0..255		Lime in pixel 2 Lime in pixel 2 saturation control(0-100%)	
9	0..255		Red in Pixel 3 Red in pixel 3 saturation control (0-100%)	
10	0..255		Green in pixel 3 Green in pixel 3 saturation control(0-100%)	
11	0..255		Blue in pixel 3 Blue in pixel 3 saturation control(0-100%)	
12	0..255		Lime in pixel 3 Lime in pixel 3 saturation control(0-100%)	
13	0..255		Red in Pixel 4 Red in pixel 4 saturation control (0-100%)	
14	0..255		Green in pixel 4 Green in pixel 4 saturation control(0-100%)	
15	0..255		Blue in pixel 4 Blue in pixel 4 saturation control(0-100%)	
16	0..255		Lime in pixel 4 Lime in pixel 4 saturation control(0-100%)	

1CH

Channel	Value/DMX	percentage	Function	Note
1	0..255		ALL Dimmer Dimmer 0%...100% Control all LED	

3CH

Channel	Value/DMX	percentage	Function	Note
1	0..255		Red 0-100% Red dimmer from dark to bright	
2	0..255		Green 0-100% Green dimmer from dark to bright	
3	0..255		Blue 0-100% Blue dimmer from dark to bright	

4CH-1

Channel	Value/DMX	percentage	Function	Note
1	0..255		Dimmer Dimmer 0%...100%	
2	0..255		Red 0-100% Red dimmer from dark to bright	
3	0..255		Green 0-100% Green dimmer from dark to bright	
4	0..255		Blue 0-100% Blue dimmer from dark to bright	

4CH-2

Channel	Value/DMX	percentage	Function	Note
1	0..255		Red 0-100% Red dimmer from dark to bright	
2	0..255		Green 0-100% Green dimmer from dark to bright	
3	0..255		Blue 0-100% Blue dimmer from dark to bright	
4	0..255		Lime 0-100% Lime dimmer from dark to bright	

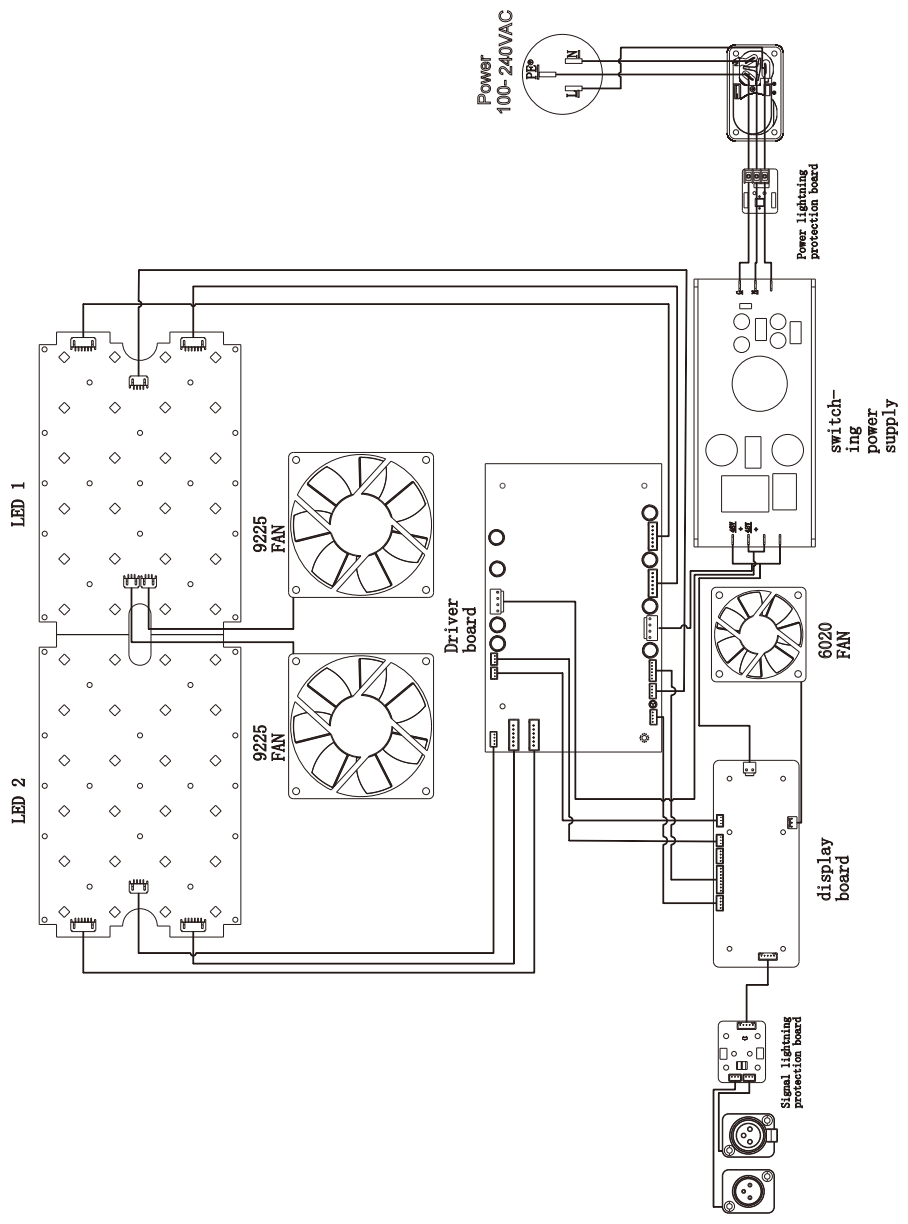
5CH

Channel	Value/DMX	percentage	Function	Note
1	0..255		Dimmer Dimmer 0%...100%	
2	0..255		Red 0-100% Red dimmer from dark to bright	
3	0..255		Green 0-100% Green dimmer from dark to bright	
4	0..255		Blue 0-100% Blue dimmer from dark to bright	
5	0..255		Lime 0-100% Lime dimmer from dark to bright	

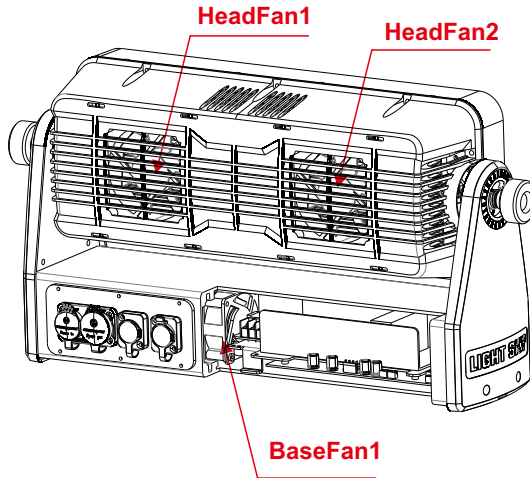
7CH

Channel	Value/DMX	percentage	Function	Note
1	0..9 10..255		Shutter No function Strobe effect slow to fast	
2	0..255		Dimmer Dimmer 0%...100%	
3	0..255		Red 0-100% Red dimmer from dark to bright	
4	0..255		Green 0-100% Green dimmer from dark to bright	
5	0..255		Blue 0-100% Blue dimmer from dark to bright	
6	0..255		Lime 0-100% Lime dimmer from dark to bright	
7	0..9 10..30 31..50 51..70 71..90 91..110 111..130 131..150 151..170 171..200 201..210 211..220 221..230 231..240 241..250 251..255		Pixel Function No function Red 100%/Green Up/Blue 0% Red Down/Green 100%/Blue 0% Red 0 %/Green 100%/Blue Up Red 0 %/Green Down/Blue 100% Red Up/Green 0%/Blue 100% Red 100%/Green 0%/Blue Down Red 100%/Green Up/Blue Up Red Down/Green Down/Blue 100% Red100%/Green 100%/Blue 100% White 3200K White 4200K White 5600K White 6500K White 8000K White 10000K	

6. Electrical Connection Diagram



The position of each fan of the fixture:



7. Troubleshooting

Following are a few common problems that may occur during operation. Here are some suggestions for troubleshooting:

A. The unit does not work, no light and the fan does not work

- Check the connected power.
- Measure the voltage.
- Check the power indicator to see whether it can be lit up or not.

B. Not responding to the DMX controller

- Check whether the DMX connectors and the DMX cables are connected correctly.
- Check whether the DMX address is correctly set.
- If the intermittent DMX signal problem occurs, check whether the XLR socket and the signal cable are well connected.
- Try it with another DMX controller.
- Check whether the DMX cables run near or alongside to the high-voltage cables, which may damage or interfere with the signal circuit.

8. Fixture Cleaning

It is absolutely essential that the fixture is kept clean to ensure the maximum light-output and allow the fixture to function reliably throughout its life. The fixture must be cleaned regularly to avoid dust, dirt and smoke-fluid residues building up on or within the fixture. The cleaning frequency depends on the application environment. Clean the fixture immediately if the dust enters it to avoid damage to the optical lens due to excessive dust.

- * A soft lint-free cloth moistened with any good glass cleaning fluid is recommended, under no circumstances should solvents be used.
- * Always dry the parts carefully.
- * Clean the external optical lens at least every 20 days and the internal optical lens every 30 days.

CAUTION ! ! !

Disconnect from mains before starting maintenance operation.

9. Duty exonerative and copyright protectio

- * Light source belongs to consumption products, not within the scope of warranty.
- * The manufacturer shall not bear any responsibility for any damage caused by failure to operate in accordance with this instruction.
- * All the information in this manual shall be interpreted by the manufacturer.
- * All the information in this manual shall not be copied without permission.
- * The data contained in this statement are subject to change in the future without prior notice.