

**LiGHT SKY**  
FLY DRAGON LIGHTING EQUIPMENT CO.,LTD

## **AQUAPEARL-MINI User Manual**

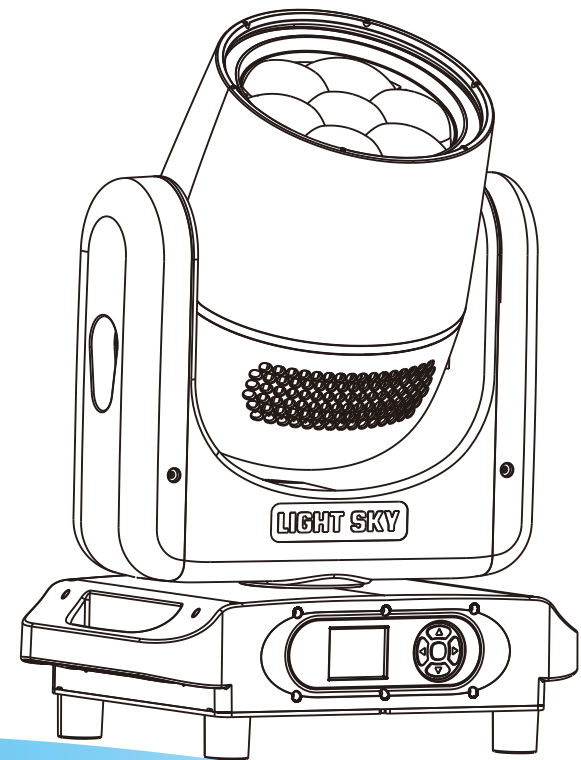
Web: [www.lightsky.com.cn](http://www.lightsky.com.cn)  
Tel: 0086-20-61828288  
Fax: 0086-20-61828188 Pc: 510820  
E-mail: [flydragon@lightsky.com.cn](mailto:flydragon@lightsky.com.cn)  
Address: No. 4, Jingneng Road 1,  
Huadu District, Guangzhou, China



**LiGHT SKY**



[WWW.LIGHTSKY.COM.CN](http://WWW.LIGHTSKY.COM.CN)



**Please read the instruction carefully bef!**

## CONTENTS

1. Safety Instructions.....	2
2. Technical Specifications .....	5
2.1. Attachment And Size .....	7
3. Connection and control .....	9
3.1. Power supply connection.....	9
3.2. DMX 512 Connection.....	10
3.3. Control Panel.....	11
4. How To Set The Unit .....	12
4.1. Main Function.....	12
4.2. Address Setting.....	14
4.3. DMX 512 Configuration .....	15
5. Electrical Connection Diagram .....	21
6. Troubleshooting.....	22
7. Fixture Cleaning.....	23
8. Duty exonerative and copyright protectio .....	23

### **Congratulations on choosing our company product! We thank you for your custom.**

- ◆ Please keep in mind that this product, like other products of the company, adheres to the concept of people-oriented design and manufacture, and takes product quality as the foundation.
- ◆ We put the interests of customers first, and do our best to meet customer requirements.
- ◆ Please read this instruction manual carefully and keep it for future reference. In the case of fully understanding the product information, strictly abide by theUse the instruction manual to ensure that the product is installed, used and serviced correctly and safely.
- ◆ Our company is not responsible for any damage to lamps or other performance due to personal failure to follow the instructions during installation, use and maintenance.responsibility.
- ◆ Our company reserves the right to modify the manual at any time and without prior notice.

## 1.Safety Instructions



Please read the instruction carefully which includes important information about the installation, usage and maintenance.

### WARNING

Please keep this User Manual for future consultation. If you sell the unit to another user, be sure that they also receive this manual.

The following symbols are used to identify important safety information on the product and in this manual:

<b>DANGER!</b> Safety hazard. Risk of severe injury or death.	<b>DANGER!</b> Refer to manual before installing, powering or servicing.	<b>DANGER!</b> Hazardous voltage.Risk of severe or lethal electric shock.	<b>Warning!</b> Fire hazard.	<b>Warning!</b> Burn hazard. Hot surface. not touch. Do not touch	<b>Warning!</b> Risk of eye injury.Safety glasses must be worn.	<b>Warning!</b> Risk of hand injury. Safety gloves must be worn.	Avoid direct eye contact
Applies only to luminaires directly mounted on surfaces of non-combustible materials	Do not discard Trash can	Mark of ground	Replace all shatter shields	Take a short distance from the object to be photographed (meters)	Rated maximum ambient temperature	Do not point the lens towards the sun or strong light	Operation not allowed during runtime

### Important:

**Damages caused by the disregard of this user manual are not subject to warranty.**

**The dealer will not accept liability for any resulting defects or problems.**

- Unpack and check carefully to ensure that there is no transportation damage before using the unit.
- Do install and operate by qualified operator.
- The light source in this luminaire should be replaced by the manufacturer or its service agent or a similarly qualified person, always cut off the power supply before replacing the light source.
- Do not allow children to operate the fixture.
- Use safety chain when fixing the unit. Handle the unit by carrying its base instead of head only.

- The unit must be installed in a location with adequate ventilation, at least 20cm from adjacent surfaces.
- Be sure that no ventilation slots is blocked, otherwise the unit will be overheated.
- Before operation, ensure that you are connecting this product to the proper voltage in accordance with the specifications in this manual or on the product's specification label.
- It's important to ground the yellow/green conductor to earth in order to avoid electric shock.
- Minimum ambient temperature TA: -10°C. Maximum ambient temperature TA: 40°C. Do not operate this product at a lower or higher temperature.
- Do not connect the device to any dimmer pack.
- When the lamp is running, do not place combustible objects next to it. The shortest distance between the device and inflammable and explosive objects or materials is 0.5m.
- Make sure the power cord is not crimped or damaged; replace it immediately if damaged.
- Unit's surface temperature may reach up to 80°C. Do not touch the housing bare-handed during its operation.
- Avoid any flammable liquids, water or metal from entering the unit. Once it happens, cut off the mains power immediately.
- Do not operate in a dirty or dusty environment. do clean the fixture regularly.
- Do not touch any wire during operation as there might be a hazard of electric shock.
- Avoid entanglement of the power cord with other wires.
- The minimum distance to objects/surface must be more than 3 meters.
- In the event of serious operating problem, stop using the unit immediately.
- Never turn on and off the unit time after time.
- The housing, the lenses, or the ultraviolet filter must be replaced if they are visibly damaged.
- Do not open the housing as there are no user serviceable parts inside.
- Do not attempt to operate this unit if it becomes damaged. Do not attempt any repairs yourself. Repairs carried out by unskilled people can lead to damage or malfunction. Please contact the nearest authorized technical assistance center if needed.
- Disconnect this product from its power source before servicing.
- Do use the original packaging if the device is to be transported.
- Avoid direct eye exposure to the light source while the product is on.

- Do not operate this product if you see damage on the housing, shields, or cables. Have the damaged parts replaced by an authorized technician at once.

**Installation:**

The lighting fixture should be fixed on the quick lock light hook with screws, ensuring a secure installation to prevent vibration and slipping during operation. Also ensure that the structure connecting the lighting fixtures can support 10 times the weight of the fixtures. At the same time as installing the lighting fixtures, two safety ropes that can support 12 times the weight of the fixtures should also be installed. The installation of the equipment should be carried out by professionals, and it should also be installed in places that are not easily accessible to people or where no one passes by without permission.

## **2. Technical Specifications**

### **OPTICS**

- Light source: 7\*60W RGBW four-in-one LEDs
- Beam angle: 4°~32°
- Spot angle: 5°~50°
- Luminous flux: 7100 Lm
- Color temperature: 2500K-10000K
- Whole lamp output illumination: 23500 lux@ 5 meters

### **EFFECT**

- Color mixing system: Uniform RGBW color mixing system and rainbow effect.
- Zoom system: linear electric zoom.
- Single point control: The light source supports independent control of a single light source and has outstanding transformation effects.
- Front aperture: The front aperture can be controlled by a single point, and you can chase the flowing color effect at will.
- Effect macro: static effect macro and dynamic effect macro function.
- Dimming: Electronic dimming, providing four dimming curves+four dimming frequencies+four dimming speeds.
- Strobe: 1-30Hz electronic strobe and random strobe.

### **CONTROL AND PROGRAMMING**

- Control channel: 31CH, 55CH, 21CH, 35CH, please see the channel table for details
- Control protocol: standard DMX512 protocol, RDM protocol, Art-Net protocol
- Data connection: three-core or five-core signal input/output
- Display: LCD screen

### **SOFTWARE**

- Upgrade software through the DMX signal interface or USB interface (optional)
- Intelligent temperature control to ensure LED life

### **X/Y AXIS MOVEMENT ANGLE**

- X-axis: 540° 8bit/16bit precision scanning
- Y-axis: 250° 8bit/16bit precision scanning

### **POWER AND POWER**

- Input voltage: AC 100-240V 50/60Hz
- Maximum power: 480W
- Power factor: 0.9

## SIZE AND WEIGHT

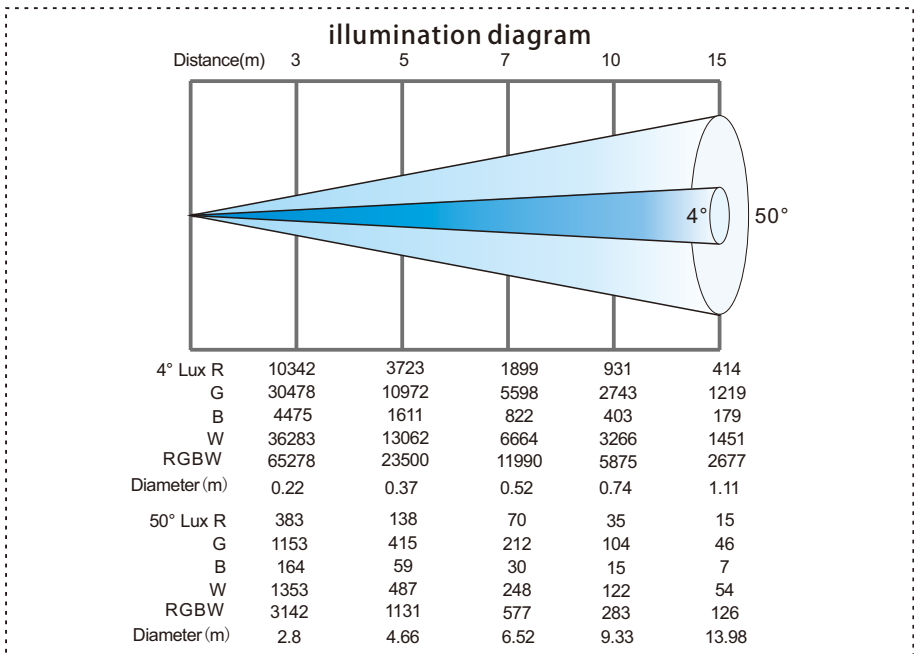
- Product size: 329mm×245mm×454mm
- Carton packaging (Default): 410mm×290mm×625mm
- N.W.: 12.3 kg G.W.: 15.7 kg
- Flycase (4 sets): 850mm×660mm×725mm
- N.W.: 49.2 kg G.W.: 100.4 kg

## OTHERS

- IP rate: IP66
- Working environment: -10°C ~ 40°C
- Maximum surface temperature of the lamp body: 80°C
- Maximum lamp current: 2.4A/220V ; 4.8A/110V

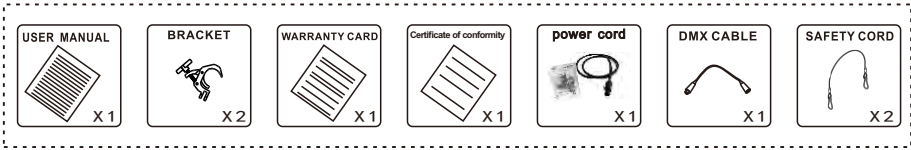
## APPROVALS

- The product implementation standard: GB 7000.1-2015 GB7000.217-2008
- Approved certifications: CE、RoHs
- The product complies with the following EU directives:  
Low Voltage Directive 2014/35/EU . EMC Directive 2014/30/EU

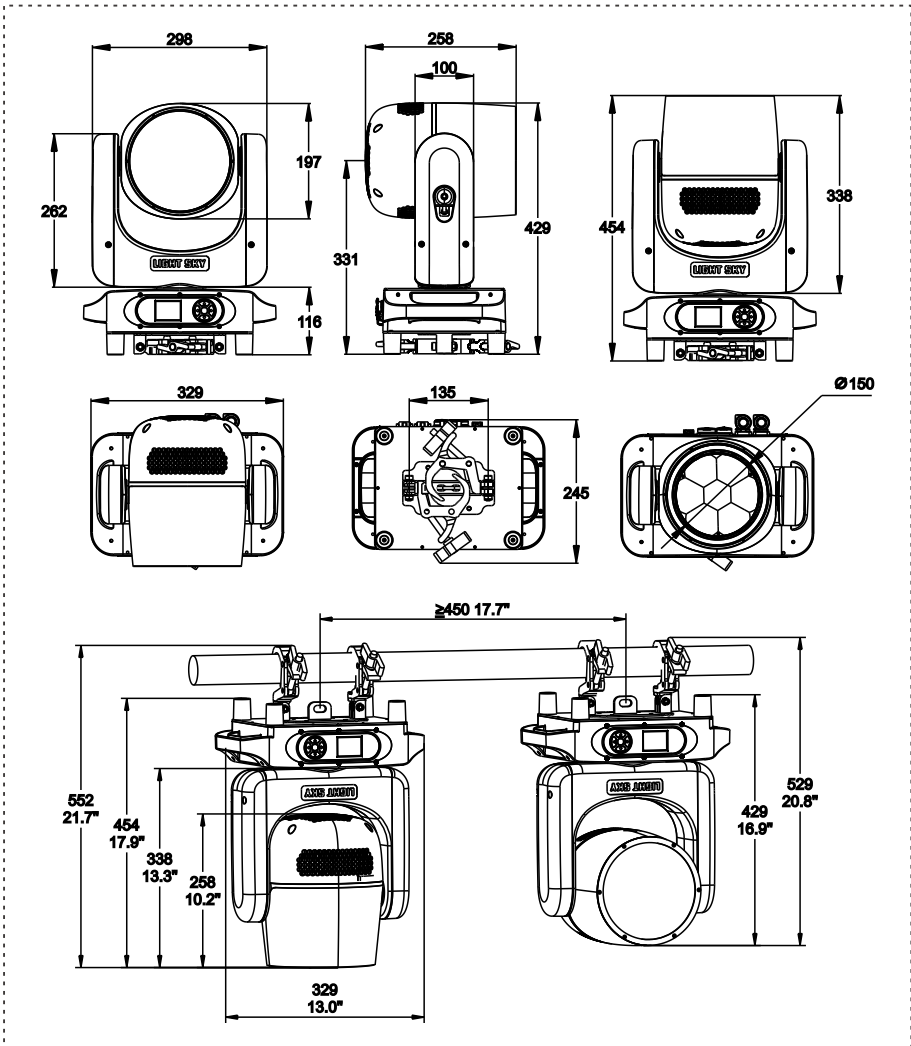


## 2.1.Attachment And Size

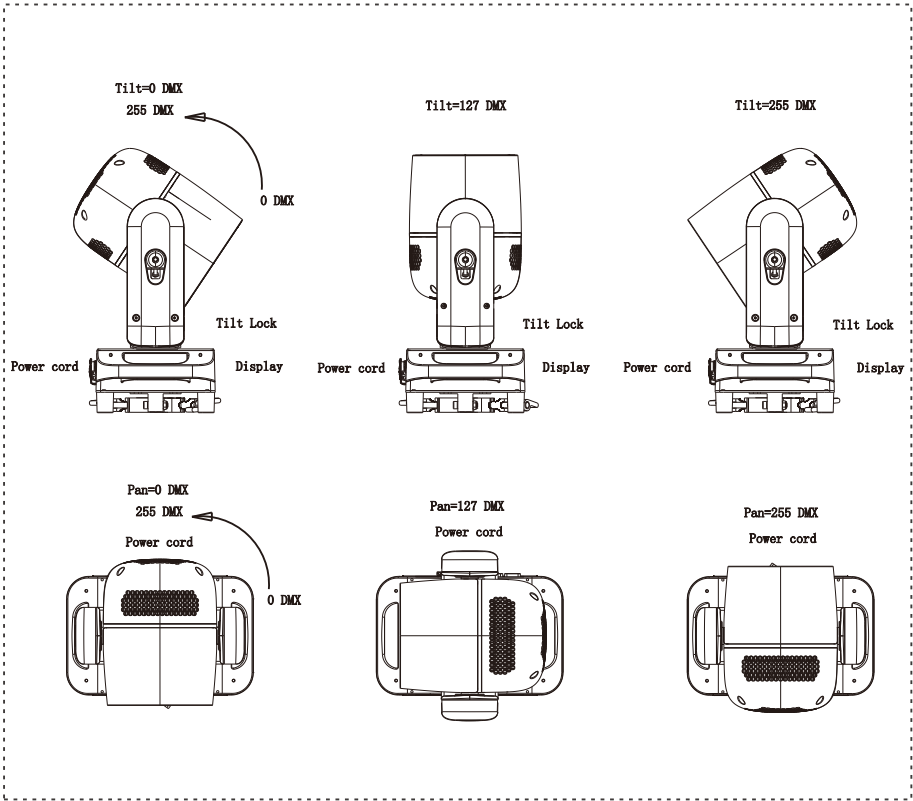
Attachment contents-Fig.1



Size-Fig.2 (Unit:mm)

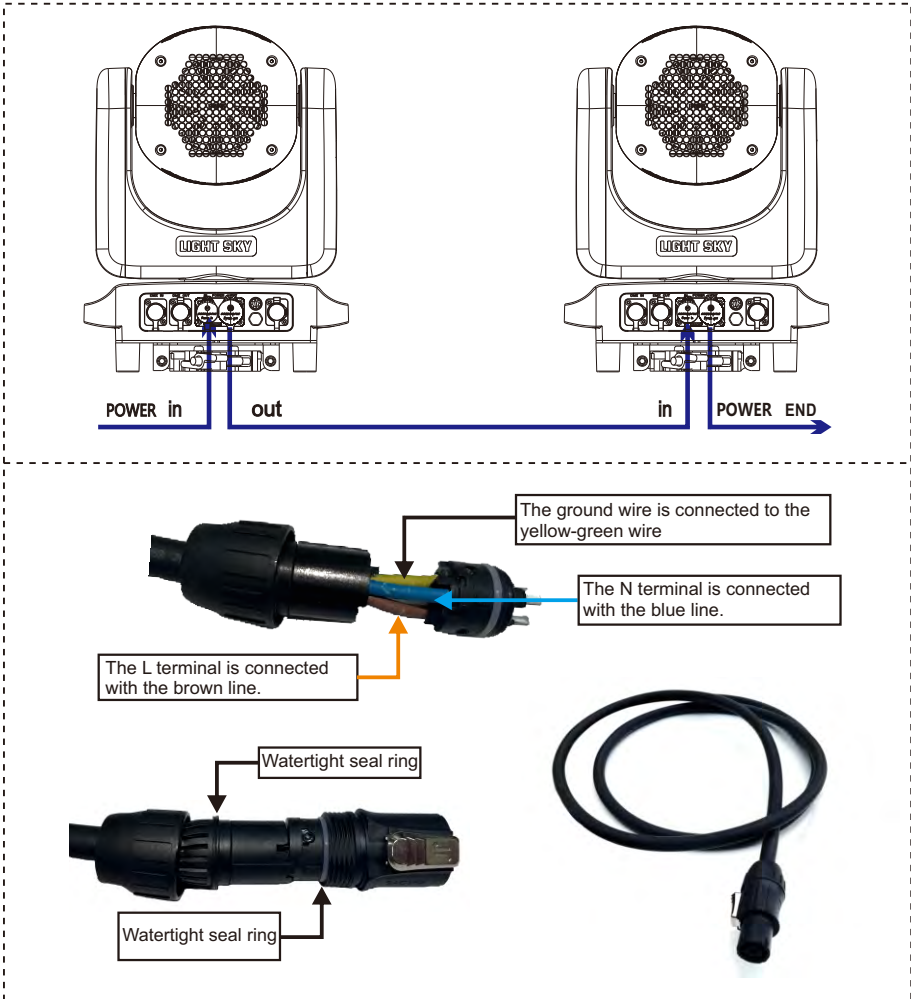






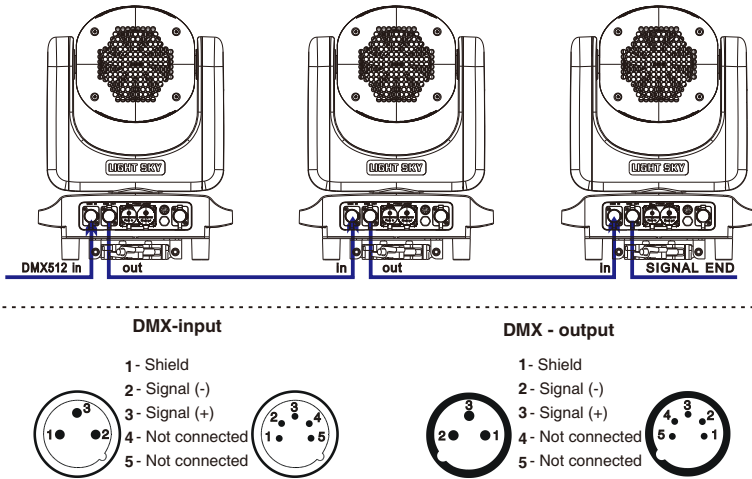
### 3.Connection and control

#### 3.1.Power supply connection



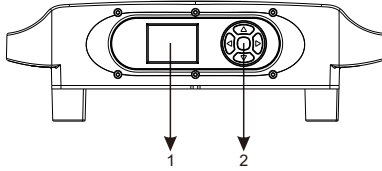
- The bus connecting the power supply must be installed by a qualified professional technician.
- After completing all the above operations and ensuring that it is installed, you can power on the lamp to operate.

## 3.2.DMX 512 Connection



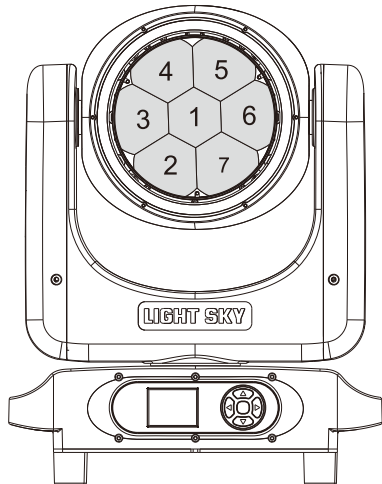
1. At last unit, the DMX cable has to be terminated with a terminator. Solder a 1200hm 1/4W resistor between pin 2(DMX-) and pin 3(DMX+) into a 3-pin XLR-plug and plug it in the DMX-output of the last unit.
  2. Connect the unit together in a "daisy chain" by XLR plug cable from the output of the unit to the input of the next unit. The cable cannot be branched or split to a "Y" cable. DMX 512 is a very high-speed signal. Inadequate or damaged cables, soldered joints or corroded connectors can easily distort the signal and shut down the system.
  3. The DMX output and input connectors are pass-through to maintain the DMX circuit, when one of the units' power is disconnected.
  4. Each lighting unit needs to have a DMX address to receive the data by the controller. The address number is between 1-512.
  5. The end of the DMX 512 system should be terminated to reduce signal errors.
  6. 3 pin XLR connectors are more popular than 5 pins XLR.
- 3 pin XLR: Pin 1: GND, Pin 2: Negative signal (-), Pin 3: Positive signal (+)  
 5 pin XLR: Pin 1: GND, Pin 2: Negative signal (-), Pin 3: Positive signal (+), Pin4, Pin5 not used.

### 3.3.Control Panel



1. Display: To show the various menus and the selected function.
2. Button :

<b>OK</b>	OK confirmation key
▲	UP
▼	DOWN
◀	To the left
▶	To the right



**Light source control sequence**

## 4.How To Set The Unit

### 4.1.Main Function

The lamp is powered on. When the system initialization and lamp reset are completed, and the standby interface is displayed on the display screen, press OK to enter the preset menu interface. The main functions are as follows:

Main menu	I menu	II menu	III menu	Note
<b>DMXAddress</b>	Address	1-512		
	Channel	31CH ( Default )		
		55CH		
		21CH		
		35CH		
	State	Black ( Default )		
	Hold			
InputMode	DMX ( Default )			This menucan only be displayed when the arnet module is connected.
	ARTNET			
<b>Information</b>	Time	Total Power Time		
		Power Time		
		Total Light Time		
		Light time		
	Temperature	HeadTemp		
	Fan Info.	HeadFan1Vol		
		HeadFan2Vol		
		HeadFan1Sp		
	Fixture state	1.MCU(XY)**		
		2.MCU(ZOOM)*		
		3.MCU(LED1)**		
		4.MCU(LED2)**		
		5.Pan ***		
		6.Tilt ***		
		7.Zoom***		
		8.ZoomRot***		
		9.HeadFan1***		
		10.BaseFan1***		
	RDMJID	388& xxxxxxxx		
	DMXLive	DMX		
	Software	1.Display Ver. Vxxx		
2.XY Ver. Vxxx				
3.Zoom Ver. Vxxx				
4.LED1 Ver. Vxxx				
5.LED2 Ver. Vxxx				
<b>Personal</b>	DimmerCurve	Linear ( Default )		
		Square		
		I-Square		
		Scurve		
	Led Hz	1800Hz/3600Hz/7200Hz (Default) /25000Hz		
	DimmerSpeed	Normal ( Default )		
		Smooth1		
		Smooth2		
	Fan Mode	Smooth3		
		HighOutput		
PanTilt Setting	Standard ( Default )			
	Silent			
PanTilt Setting	Pan Invert	OFF ( Default )/ON		
	Tilt Invert	OFF ( Default )/ON		

Main menu	I menu	II menu	III menu	Note	
	Display Setting	P/T Rectify	OFF/ON ( Default )		
		Language	EN ( Default ) /ZH		
		Disp. Backlight	OFF/ ON ( Default )		
		Disp. Direction	Forward ( Default ) / Reverse		
	ZoomModSetting	Dis.Blink	OFF/ ON		
		Beam ( Default )			
	Artnet Setting	Standard			This menu can only be displayed when the artnet module is connected.
		IP Address	*** ** *		
		MaskAddress	*** ** *		
		Net Address	0- 127		
Sub Net Address		0- 15			
Manual Control	Channel control	1.Pan *** ...			
	Reset	PanTilt			
		HeadModule			
Service	Calibration	All			
		1.Pan ***			
		2.Tilt ***			
		3.Zoom***			
		4.ZoomRot ***			
		5.Red1 ***			
		6.Green1 ***			
		7.Blue1 ***			
		8.White1 ***			
		9.Red2 ***			
		10.Green2 ***			
		11.Blue2 ***			
		12.White2 ***			
	.....				
	29.Red7 ***				
	30.Green7 ***				
	31.Blue7 ***				
	32.White7 ***				
	Factory Reset	NO/ YES			
	Reset Timers	1.Total Power Time	NO/YES		
2.Total Light Time		NO/YES			
1.Power Time		NO/YES			
2.Light Time		NO/YES			
Developer					
Firmware update					
Language	EN/ZH				
Test	Test PanTilt				
	Test HeadModule				
	Test All				
Rotate Display					

## 4.2.Address Setting

Enter MENU, select the DMX setting function, select the address code setting, press the OK button to confirm, the current DMX address will be displayed on the display. Use the up/down buttons to select addresses 001~512, and press the OK button to save. Press the OK button to return to the previous menu.

**Please refer to the following diagram to address your DMX512 channel for the first 4 units.**

Channel mode	Unit 1 Address	Unit 2 Address	Unit 3 Address	Unit 4 Address
31 CH	1	32	63	94
55 CH	1	56	111	166
21 CH	1	22	43	64
35 CH	1	36	71	106

## 4.3.DMX 512 Configuration

31 Channel	55 Channel	DMX	Function	Note
1	1	0-255	<b>Pan positioning</b>	
2	2	0-255	<b>Fine Pan positioning</b>	
3	3	0-255	<b>Tilt positioning</b>	
4	4	0-255	<b>Fine Tilt positioning</b>	
5	5	0-255	<b>Function(Hold 3s)</b> 0-25 No function 26-30 Reset Head 31-35 Reset Pan&Tilt 36-40 Reset All 41-49 No function 50-59 Fan HighOutput mode 60-69 Fan Standard mode 70-79 Fan Silent mode 80-84 Dis.Blink off 85-89 Dis.Blink on 90-94 Zoom Beam mode 95-99 Zoom Standard mode 100-129 No function 130-139 Pan invert on 140-149 Pan invert off 150-159 Tilt invert on 160-169 Tilt invert off 170-177 LED frequency 1.8kHz 178-185 LED frequency 3.6kHz 186-193 LED frequency 7.2kHz 194-199 LED frequency 25kHz 200-204 Dimmer curve linear 205-209 Dimmer curve square 210-214 Dimmer curve inv-square 215-219 Dimmer curve "S" 220-224 Dimmer Normal 225-229 Dimmer Smooth 1 230-234 Dimmer Smooth 2 235-239 Dimmer Smooth 3 240-255 No function	
6	6	0-255	<b>Zoom</b>	
7	7	0-127 128-190 191-192 193-255	<b>ZoomRot</b> 0-127 ZoomRot indexing 128-190 ZoomRot CW fast to slow 191-192 Stop 193-255 ZoomRot CCW slow to fast	
8	8	0-255	<b>Dimmer</b>	
9	9	0-255	<b>Dimmer Fine</b>	
10	10	0-9 10-49 50-89 90-119 120-179 180-249 250-255	<b>Strobe</b> 0-9 Strobe open 10-49 Slow closing, Fast opening, slow → fast 50-89 Fast closing, Slow opening, Slow → Fast 90-119 Slow closing, Slow open, Slow → Fast 120-179 Random strobe, Slow → Fast 180-249 Synchronous strobe, slow → fast 250-255 Strobe open	



31 Channel	55 Channel	DMX	Function	Note
11	\	0-255	Red 0 to 100%	
12	\	0-255	Green 0 to 100%	
13	\	0-255	Blue 0 to 100%	
14	\	0-255	White 0 to 100%	
\	11	0-255	Red1	
\	12	0-255	Green1	
\	13	0-255	Blue1	
\	14	0-255	White1	
\	15	0-255	Red2	
\	16	0-255	Green2	
\	17	0-255	Blue2	
\	18	0-255	White2	
\	19	0-255	Red3	
\	20	0-255	Green3	
\	21	0-255	Blue3	
\	22	0-255	White3	
\	23	0-255	Red4	
\	24	0-255	Green4	
\	25	0-255	Blue4	
\	26	0-255	White4	
\	27	0-255	Red5	
\	28	0-255	Green5	
\	29	0-255	Blue5	
\	30	0-255	White5	
\	31	0-255	Red6	
\	32	0-255	Green6	
\	33	0-255	Blue6	
\	34	0-255	White6	
\	35	0-255	Red7	
\	36	0-255	Green7	
\	37	0-255	Blue7	
\	38	0-255	White7	
15	39	0-2 3-255	CCT 10000k - 2500k No function 10000k - 2500k	
16	40	0-9 10-99 100-199 200-255	EffectMacro No function Static Effect Chase Effect No function	
17	41	0-125 126-129 130-255	EffectSpeed CW fast to slow Stop CCW slow to fast	
18	42	0-255	EffectFade Fade	
19	43	0-255	DimmerBack	
		0-9 10-49	StrobeBack Strobe closed Slow closing, Fast opening, slow → fast	

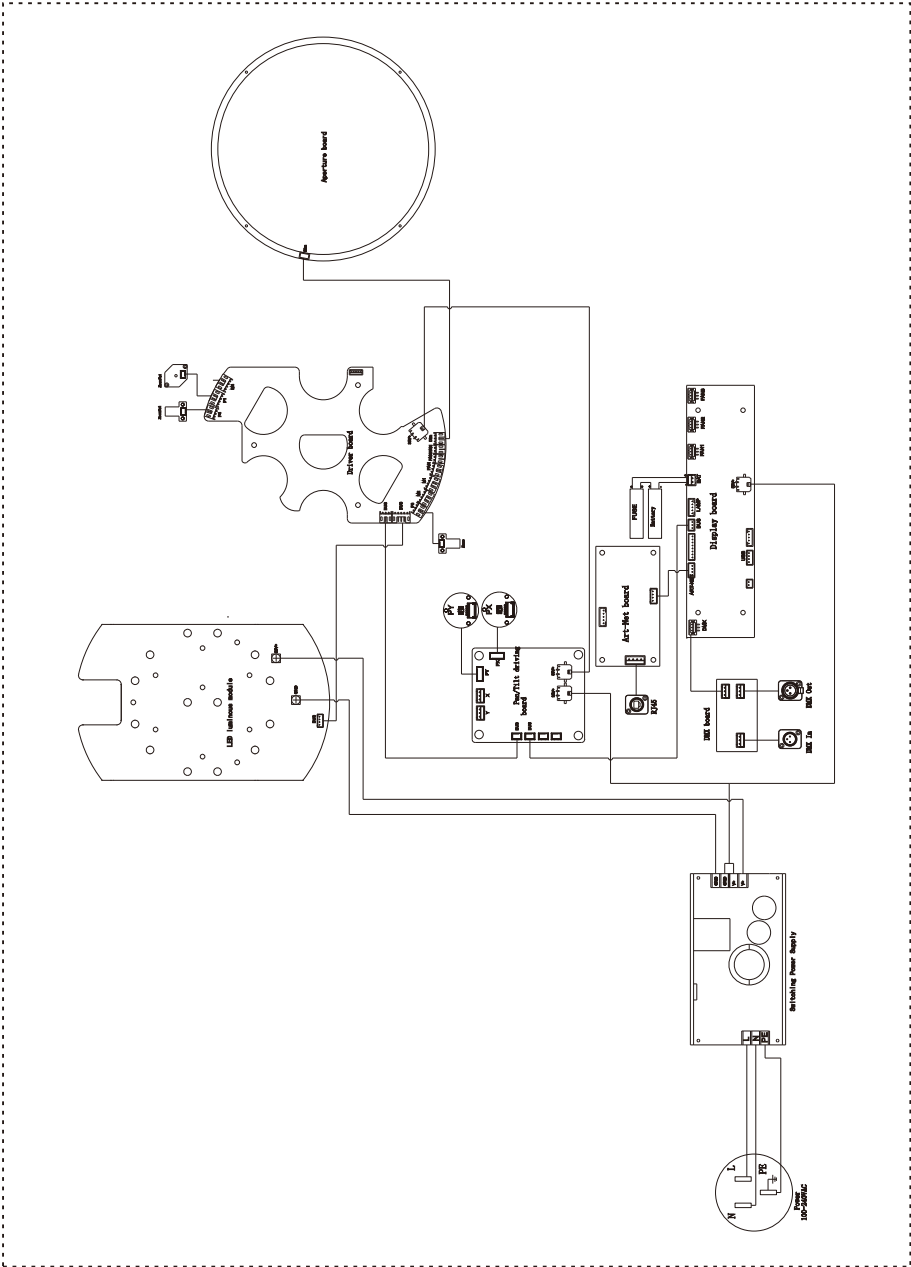
31 Channel	55 Channel	DMX	Function	Note
20	44	50-89 90-119 120-179 180-249 250-255	Fast closing, Slow opening, Slow → Fast Slow closing, Slow open, Slow → Fast Random strobe, Slow → Fast Synchronous strobe, slow → fast Strobe open	
21	45	0-255	<b>Red of Back Color(for Program)</b>	
22	46	0-255	<b>Green of Back Color(for Program)</b>	
23	47	0-255	<b>Blue of Back Color(for Program)</b>	
24	48	0-255	<b>White of Back Color(for Program)</b>	
25	49	0-255	<b>RingDimmer</b>	
26	50	0-255 0-9 10-49 50-89 90-119 120-179 180-249 250-255	<b>RingStrobe</b> Strobe closed Slow closing, Fast opening, slow → fast Fast closing, Slow opening, Slow → Fast Slow closing, Slow open, Slow → Fast Random strobe, Slow → Fast Synchronous strobe, slow → fast Strobe open	
27	51	0-255	<b>RingRed 0 to 100%</b>	
28	52	0-255	<b>RingGreen 0 to 100%</b>	
29	53	0-255	<b>RingBlue 0 to 100%</b>	
30	54	0-9 0-255	<b>RingEffect</b> No function RingEffect	
31	55	0-125 126-129 130-255	<b>RingSpeed</b> CW fast to slow Stop CCW slow to fast	

21 Channel	DMX	Function	Note
1	0-255	<b>Red 0 to 100%</b>	
2	0-255	<b>Red Fine 0 to 100%</b>	
3	0-255	<b>Green 0 to 100%</b>	
4	0-255	<b>Green Fine 0 to 100%</b>	
5	0-255	<b>Blue 0 to 100%</b>	
6	0-255	<b>Blue Fine 0 to 100%</b>	
7	0-255	<b>White 0 to 100%</b>	
8	0-255	<b>White Fine 0 to 100%</b>	
9	0-2	<b>CCT 10000k - 2500k</b> No function	
	3-255	10000k - 2500k	
10	0-19	<b>Macro Color</b> No function	
	20-192	Macro Color	
	192-255	No function	
11	0-9	<b>Strobe</b> Strobe open	
	10-49	Slow closing, Fast opening, slow → fast	
	50-89	Fast closing, Slow opening, Slow → Fast	
	90-119	Slow closing, Slow open, Slow → Fast	
	120-179	Random strobe, Slow → Fast	
	180-249	Synchronous strobe, slow → fast	
250-255	Strobe open		
12	0-255	<b>Dimmer</b>	
13	0-255	<b>Dimmer Fine</b>	
14	0-255	<b>Pan positioning</b>	
15	0-255	<b>Fine Pan positioning</b>	
16	0-255	<b>Tilt positioning</b>	
17	0-255	<b>Fine Tilt positioning</b>	
18	0-255	<b>Zoom</b>	
19	0-255	<b>Color Crossfade</b>	Channel compatibility, currently without functionality
20	0-1	<b>Function (Hold 3s)</b> No function	
	2-3	Fan HighOutput mode	
	4-7	Fan Standard mode	
	8-9	Fan Silent mode	
	10-102	No function	
	103-105	No function	
	106-120	No function	
	121-130	No function	
	131-140	LED frequency 25kHz	
	141-150	No function	
	151-160	LED frequency 7.2kHz	
	161-170	LED frequency 3.6kHz	
171-180	LED frequency 1.8kHz		
181-255	No function		
21	0-25	<b>Reste</b> No function	
	26-70	Reset Head	
	77-127	Reset Pan&Tilt	
	128-255	Reset All	

35 Channel	DMX	Function	Note
1	0-255	Red 0 to 100%	
2	0-255	Red Fine 0 to 100%	
3	0-255	Green 0 to 100%	
4	0-255	Green Fine 0 to 100%	
5	0-255	Blue 0 to 100%	
6	0-255	Blue Fine 0 to 100%	
7	0-255	White 0 to 100%	
8	0-255	White Fine 0 to 100%	
9	0-2	CCT 10000k - 2500k	
	3-255	No function 10000k - 2500k	
10	0-19	Macro Color	
	20-192	No function Macro Color	
	192-255	No function	
11	0-9	Strobe Strobe open	
	10-49	Slow closing, Fast opening, slow → fast	
	50-89	Fast closing, Slow opening, Slow → Fast	
	90-119	Slow closing, Slow open, Slow → Fast	
	120-179	Random strobe, Slow → Fast	
	180-249	Synchronous strobe, slow → fast	
250-255	Strobe open		
12	0-255	Dimmer	
13	0-255	Dimmer Fine	
14	0-255	Pan positioning	
15	0-255	Fine Pan positioning	
16	0-255	Tilt positioning	
17	0-255	Fine Tilt positioning	
18	0-1	Function(Hold 3s) No function	
	2-3	Fan HighOutput mode	
	4-7	Fan Standard mode	
	8-9	Fan Silent mode	
	10-102	No function	
	103-105	No function	
	106-120	No function	
	121-130	No function	
	131-140	LED frequency 25kHz	
	141-150	No function	
	151-160	LED frequency 7.2kHz	
161-170	LED frequency 3.6kHz		
171-180	LED frequency 1.8kHz		
181-255	No function		
19	0-25	Reste No function	
	26-70	Reset Head	
	77-127	Reset Pan&Tilt	
	128-255	Reset All	
20	0-255	Zoom	
21	0-127	ZoomRot ZoomRot indexing	
	128-190	ZoomRot CW fast to slow	
	191-192	Stop	
	193-255	ZoomRot CCW slow to fast	

35 Channel	DMX	Function	Note
22	0-255	Shape Seletion	Channel compatability, currently without functionality.
23	0-255	Shape Speed	
24	0-255	Shape Fade	
25	0-255	Shape R	
26	0-255	Shape G	
27	0-255	Shape B	
28	0-255	Shape W	
29	0-255	Shape Dimmer	
30	0-255	Background Dimmer	
31	0-255	Shape Transition	
32	0-255	Shape Offset	
33	0-255	Foreground Strobe	
34	0-255	Background Strobe	
35	0-255	Background Select	

# 5. Electrical Connection Diagram



## 6. Troubleshooting

The following are common faults of lighting fixtures and corresponding solutions. Malfunctions that cannot be repaired by oneself should be handled by personnel with professional qualifications. Before maintaining the lamp, please disconnect the power supply first.

### ■ LED off:

- Please check if install the suitable voltage
- Please check whether the led will reach the end of their life can explode; please replace a same description led.
- Please check if the power supply is enough.
- Please check whether the DMX 512 controller pass the "turn on" order.

### ■ The light couldn't accept the control order:

- Please check the start code address and the function option are correct.
- Please check whether the communicate control cable is on good connection or the cable is too long or interrupt.
- Please check the control system is not valid, check the signal amplifier of chain connected is valid.
- Please check whether the communicate cable is too long or the other equipment is mutually conjugate.
- Please arrange the wire well, shorter the signal cable, put the high voltage cable and low voltage cable separately.
- Add the signal amplify isolator.
- Signal cable is used the excellent screening doublet (Resistance 75 OHM)
- The end of the light end and the end resistance.

### ■ The light can't move:

- Please check if the power supply is suitable for the light voltage data.
- Please check the light if they are deformation, inside parts is broken, become wet etc will lead the loose contact.
- Please check the if the inside lead wire and the connector is loose.
- Please check the electric parts(such as the transformer,PCB board,contrller) is short-circuit or burn down.

### ■ On working,the pan &tilt couldn't work normally:

- Please check according to the above step by step,
- Please check the belt of the X.Y is broken.
- Please check the X/Y direction data to the receiver is damage.
- Re-projector reset.

## **7. Fixture Cleaning**

**It is absolutely essential that the fixture is kept clean to ensure the maximum light-output and allow the fixture to function reliably throughout its life. The fixture must be cleaned regularly to avoid dust, dirt and smoke-fluid residues building up on or within the fixture. The cleaning frequency depends on the application environment. Clean the fixture immediately if the dust enters it to avoid damage to the optical lens due to excessive dust.**

- \* Before maintenance and disassembly of lighting fixtures, the power supply must be disconnected and live operation is not allowed.
- \* A soft lint-free cloth moistened with any good glass cleaning fluid is recommended, under no circumstances should solvents be used.
- \* Always dry the parts carefully.
- \* You need to wipe the outside of the lens at least once every 20 days.
- \* After the colored paper performance of the lighting fixtures, it is necessary to check whether there are any paper scraps stuck or sucked in at the air inlet and outlet, and clean them thoroughly, otherwise it may damage the fan or cause a fire hazard

**CAUTION ! ! !**

**Disconnect from mains before starting maintenance operation.**

## **8. Duty exonerative and copyright protectio**

- \* Light source belongs to consumption products, not within the scope of warranty.
- \* The manufacturer shall not bear any responsibility for any damage caused by failure to operate in accordance with this instruction.
- \* All the information in this manual shall be interpreted by the manufacturer.
- \* All the information in this manual shall not be copied without permission.
- \* The data contained in this statement are subject to change in the future without prior notice.